



DDMC802

Multipurpose Modular Controller

Control different load types with one device

The Philips Dynalite DDMC802 provides up to eight configurable output channels, controlled by up to four interchangeable control modules.

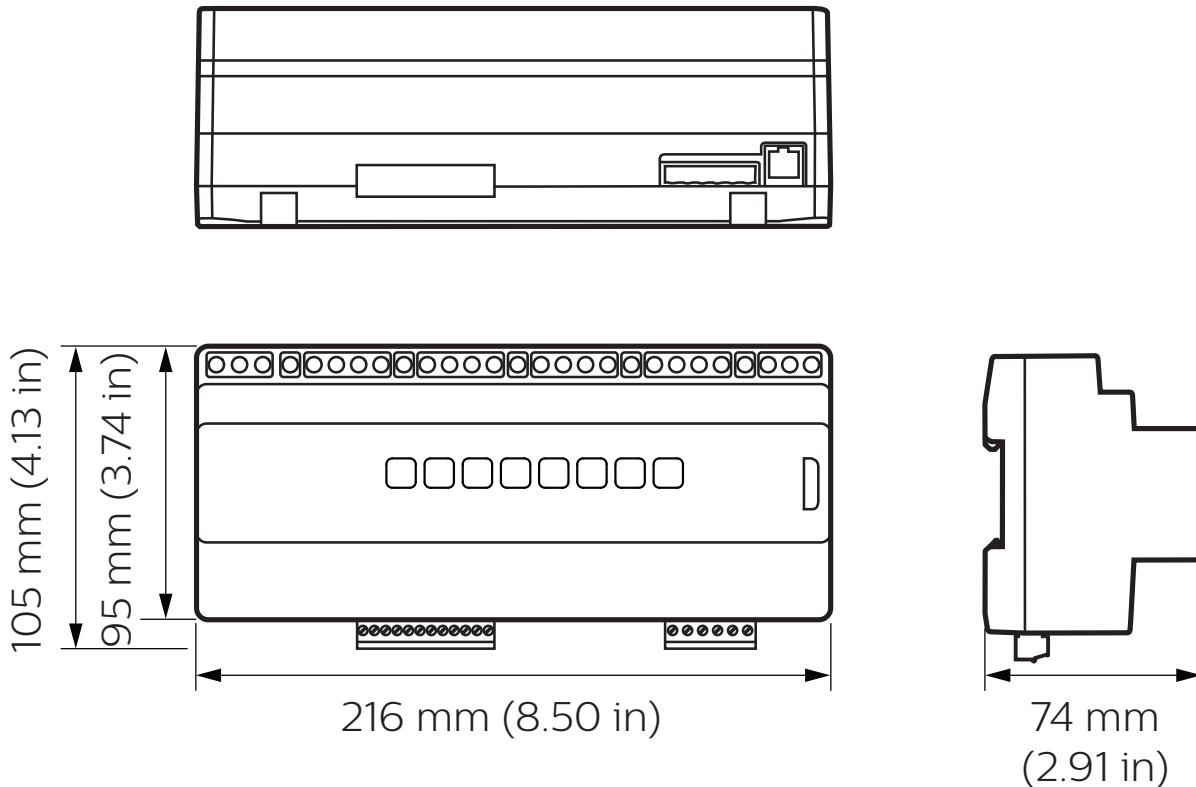
A selection of control modules is available for a variety of load types.

DDMC802

Control different load types with one device

- **Single controller solution** — Control a variety of load types from one device.
- **Four module bays** — Accommodates any combination of up to four single modules or two double-size modules.
- **Leading edge phase control dimmer module** — Suitable for use with incandescent lamps and some types of dimmable electronic transformers.
- **Trailing edge phase control dimmer module** — Suitable for use with most types of dimmable electronic transformers.
- **Signal dimmer control module** — Suitable for 1-10 V, DSI and DALI Broadcast control of digital drivers and transformers.
- **Relay control module** — Suitable for controlling most types of switched loads.
- **Fan control module** — 400 VA three-speed fan control.
- **Curtain control module** — Provides control of curtains, blinds and other motorized window treatments.
- **Flexible mounting solution** — A DIN-rail mountable device, designed to be installed into the distribution board supplying power to the controlled circuit.

Dimensions



Specifications

Due to continuous improvements and innovations, specifications may change without notice.



DDMC802 Multipurpose Modular Controller

Electrical

Supply Type	Single phase
Supply Voltage	100-240 VAC
Supply Current	16 A
Outputs	8 (4 x 2-channel module bays)
DyNet DC Output Voltage	12 VDC
DyNet DC Output Current	200 mA (supply for approximately 10 user interfaces)
Power Conditioning	Regulated outputs Overvoltage protection Surge protection Brownout / Sag protection Spike protection Soft start 16 bit fade resolution (65,536 steps)
Overvoltage Category	III

Control

Serial Ports	1 x RS-485
Supported Protocols	DyNet DMX Rx
Dry Contact Inputs	9 (8 + AUX)
Diagnostic Functions	Device online/offline status Circuit runtime tracking
User Controls	1 x service switch 8 x manual override switches
Indicators	1 x service LED 8 x channel status LED

Physical

Dimensions (H x W x D)	105 x 216 x 74 mm (4.13 x 8.50 x 2.91 in)
Packed Weight	0.52 kg (1.14 lb)
Construction	Polycarbonate DIN rail enclosure (12 unit)
Serial Ports	1 x RJ12 1 x 6-way pluggable screw terminal
Serial Port Conductor Size	2.5 mm ² (#12 AWG) (max)
Supply Terminals	3 x screw terminal Line, Neutral, Earth
Supply Terminal Conductor Size	5 mm ² (#10 AWG) (max)
Dry Contact Terminals	1 x 12-way pluggable screw terminal
Dry Contact Terminal Conductor Size	1.3 mm ² (#16 AWG) (max)
Load Terminals	16 x screw terminal
Load Terminal Conductor Size	5 mm ² (#10 AWG) (max)

Environment*

Operating Temperature	0° to 40°C ambient (32° to 104°F)
Storage/Transport Temperature	-25° to 70°C ambient (-13° to 158°F)
Humidity	0 to 90% non-condensing
IEC Pollution Degree	II

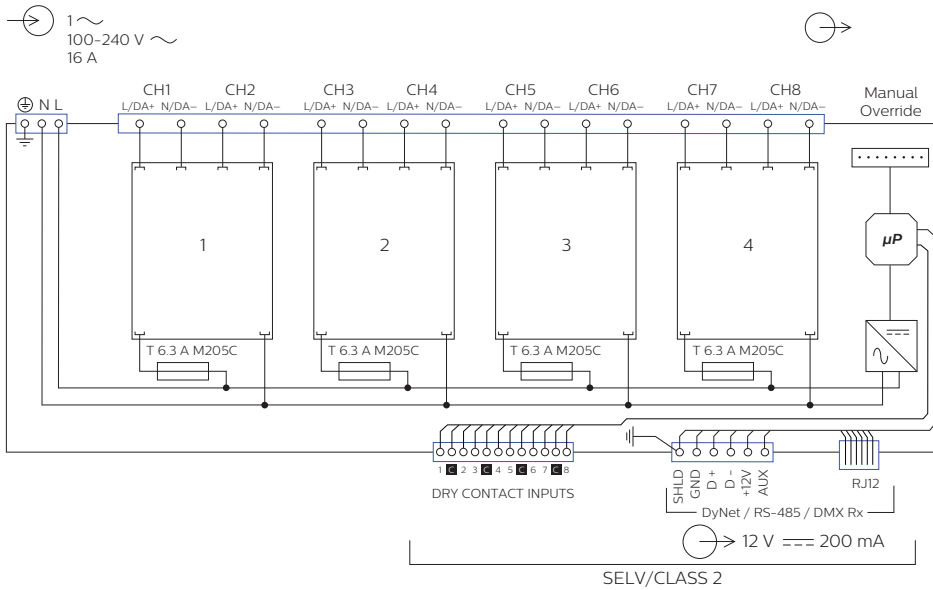
Compliance

Certification	CE, RCM, UL/cUL, FCC, ICES, UKCA, RoHS
---------------	--

* For indoor installation only



Electrical



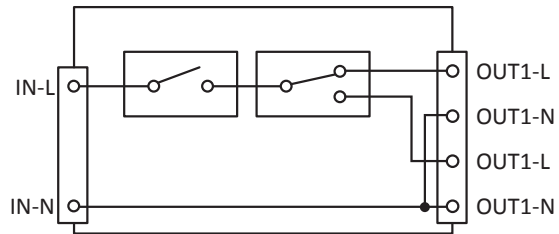
DGCM102

Module Type	Motorized curtain/blind control
Output Channels	1

Output Channel Ratings

Load Type	Maximum Rating per Output
General Use	2 A, 230 VAC
Motor x 1	4.4 FLA* (1/8 HP), 120 VAC 4.9 FLA* (1/8 HP), 230 VAC

* Full Load Amps



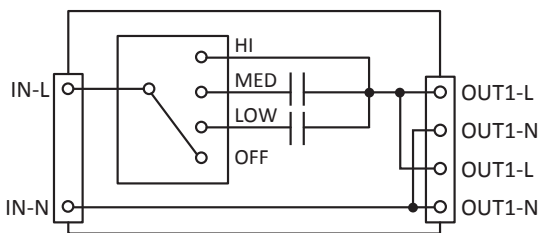
DGFM102

Module Type	Fan control
Output Channels	1

Output Channel Ratings

Load Type	Maximum Rating per Output
Motor x 1	400 VA, 230 VAC*

*Not suitable for 120 VAC (Not UL listed)



DGRM204

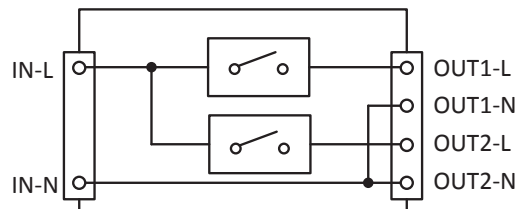
Module Type	Relay control
Output Channels	2

General Load Limit

Maximum Module Load	5 A
---------------------	-----

Output Channel Ratings

Load Type	Maximum Rating per Output
General Use	4 A, 230 VAC
Incandescent	600 W, 120 VAC 1100 W, 230 VAC
Standard Ballast	2 A, 120 VAC
Electronic Ballasts	4 A, 120 VAC 3 A, 230 VAC
Inrush Current	100 A

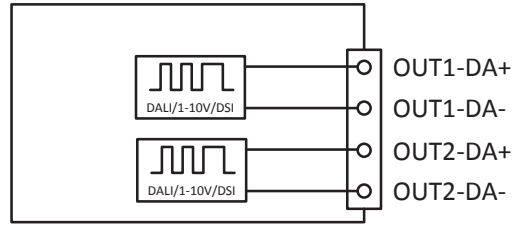


DGBM200

Module Type	Signal dimmer control
Output Channels	2
Supported Protocols	1-10 V DSI DALI Broadcast Tunable White (DALI 209)

Control Channel Ratings

DALI/DSI	Channel	Device
Guaranteed Current	10 mA	
Maximum Current	250 mA	
Maximum Drivers	5	10
Insulation	Basic	
1-10 V	Channel	
Current	sink 10 mA source 10 mA	



! Suitable for Class 1 or Class 2 wiring

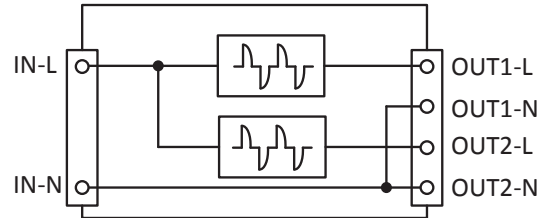
DGLM202

Module Type	Leading edge dimmer
Output Channels	2
Maximum Module Load	4 A

Output Channel Ratings

Load Type	Maximum Rating per Output
Incandescent	
Standard Ballast	2 A, 120 / 230 VAC
Electronic Ballast*	

* Can be limited by load capacitance



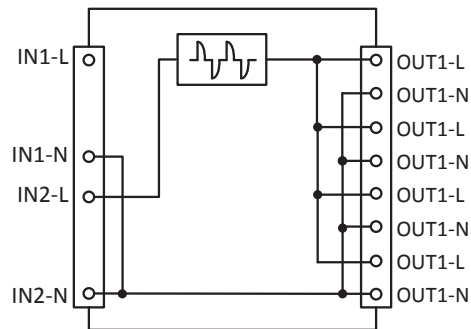
DGLM105 (Double size module)

Module Type	Leading edge dimmer
Output Channels	1

Output Channel Ratings

Load Type	Maximum Rating per Output
Incandescent	
Standard Ballast	5 A, 120 / 230 VAC
Electronic Ballast*	

* Can be limited by load capacitance



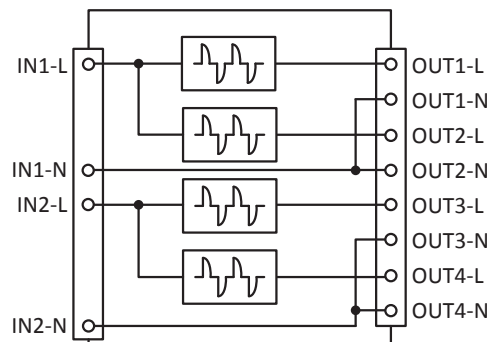
DGLM402 (Double size module)

Module Type	Leading edge dimmer
Output Channels	4
Maximum Module Load	8 A

Output Channel Ratings

Load Type	Maximum Rating per Output
Incandescent	
Standard Ballast	2 A, 120 / 230 VAC
Electronic Ballast*	

* Can be limited by load capacitance



DGTM104

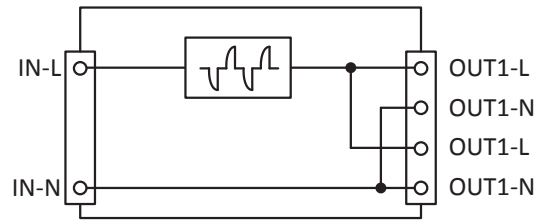
Module Type Trailing edge dimmer

Output Channels 1

Output Channel Ratings

Load Type	Maximum Rating per Output
Incandescent	4 A, 120(UL) / 230 VAC
Electronic Ballast	

Not compatible with magnetic transformers



DGTM202

Module Type Trailing edge dimmer

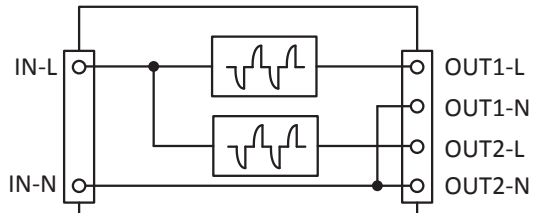
Output Channels 2

Maximum Module Load 4 A

Output Channel Ratings

Load Type	Maximum Rating per Output
Incandescent	2 A, 120(UL) / 230 VAC
Electronic Ballast	

Not compatible with magnetic transformers



DGTM402 (Double size module)

Module Type Trailing edge dimmer

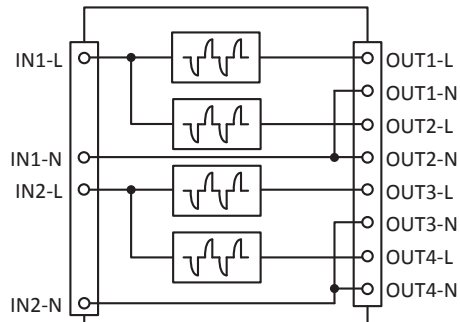
Output Channels 4

Maximum Module Load 8 A

Output Channel Ratings

Load Type	Maximum Rating per Output
Incandescent	2 A, 120(UL) / 230 VAC
Electronic Ballast	

Not compatible with magnetic transformers



Ordering Code

Product

DDMC802

DDMC802-CE

Philips 12NC

913703243509

913703369309

Modules

DGCM102

DGFM102

DGRM204

DGBM200

DGLM105

DGLM202

DGLM402

DGTM104

DGTM202

DGTM402

913703024409

913703026709

913703261109

913703261209

913703260809

913703260909

913703261009

913703260609

913703260709

913703024309



© 2022 Signify Holding. All rights reserved. Specifications are subject to change without notice. No representation or warranty as to the accuracy or completeness of the information included herein is given and any liability for any action in reliance thereon is disclaimed. Philips and the Philips Shield Emblem are registered trademarks of Koninklijke Philips N.V. All other trademarks are owned by Signify Holding or their respective owners.