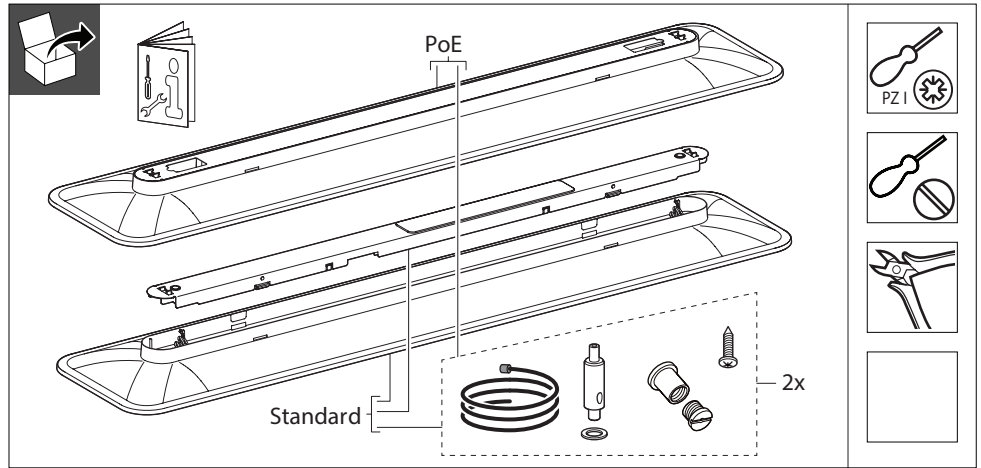


PHILIPS

Smart Balance

SP480P / SP482P



220 V
240 V

50Hz
60Hz

IP40

IK02

GLOW
WIRE
650 °C

Max.
40 °C
Min.
10 °C

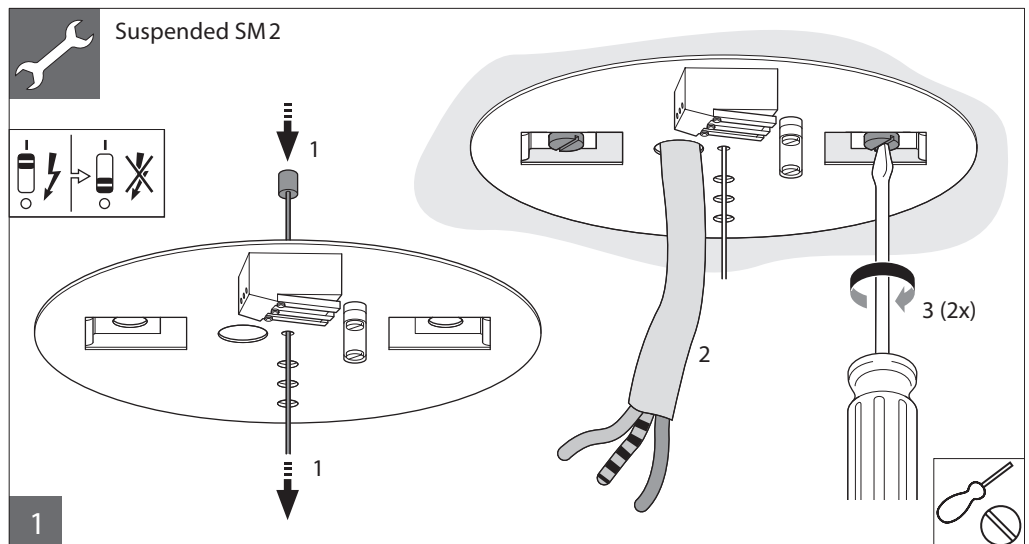
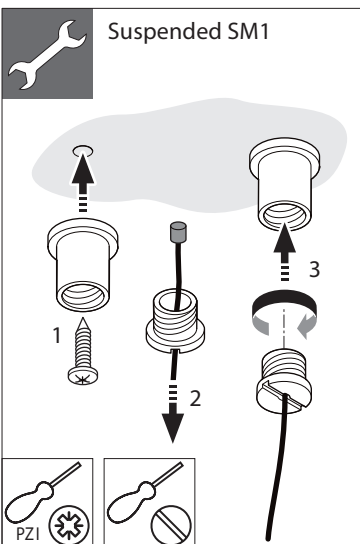
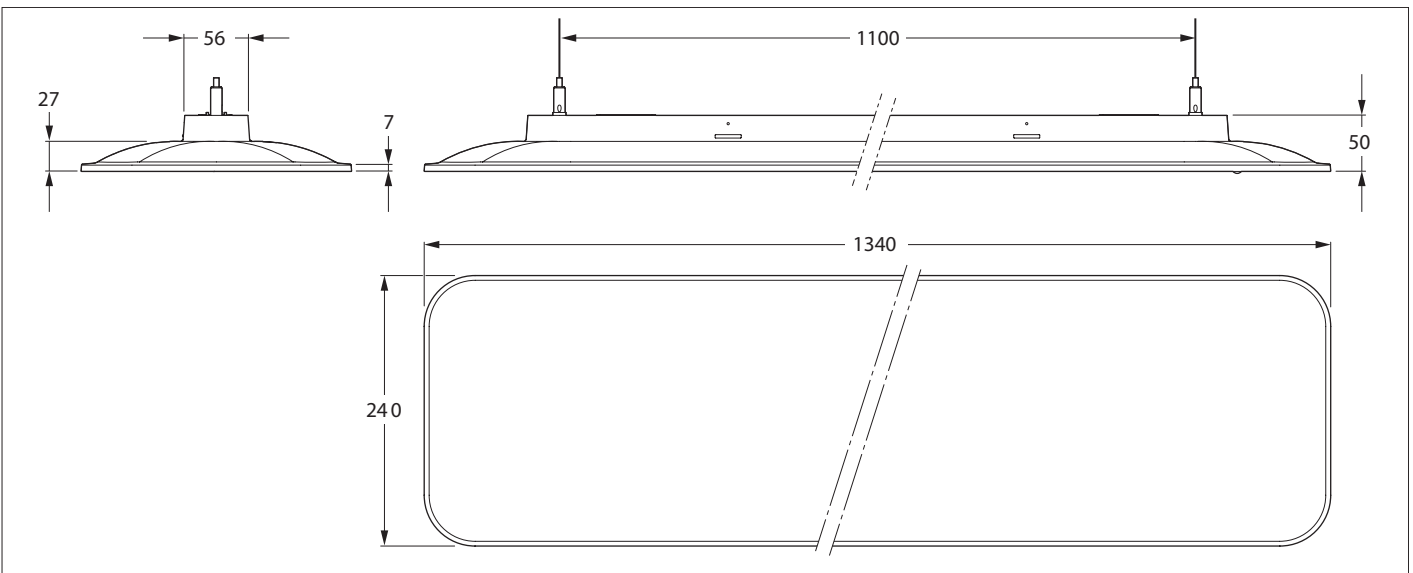


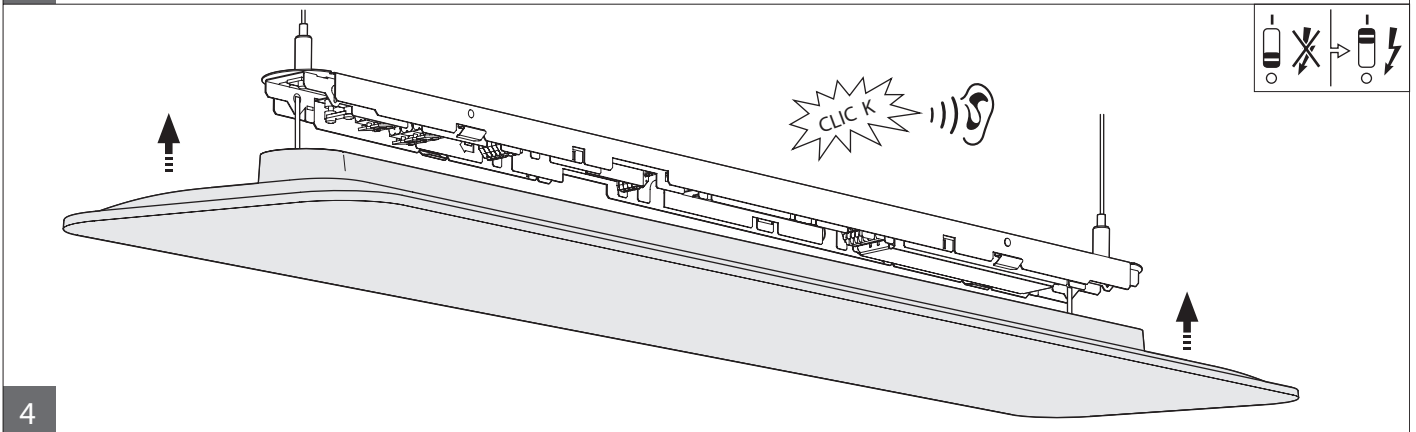
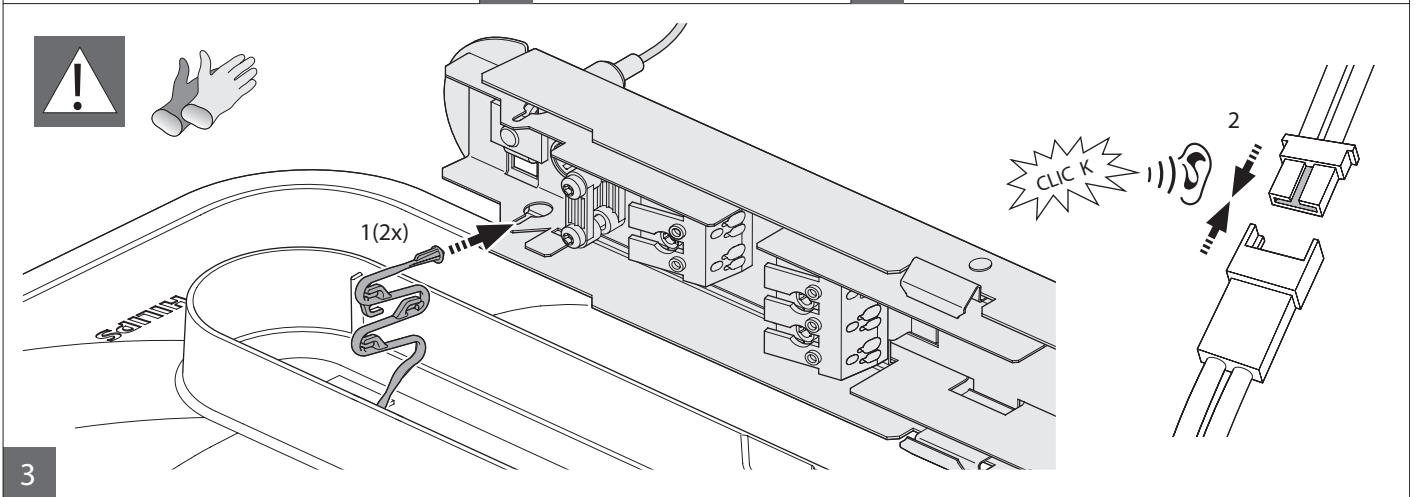
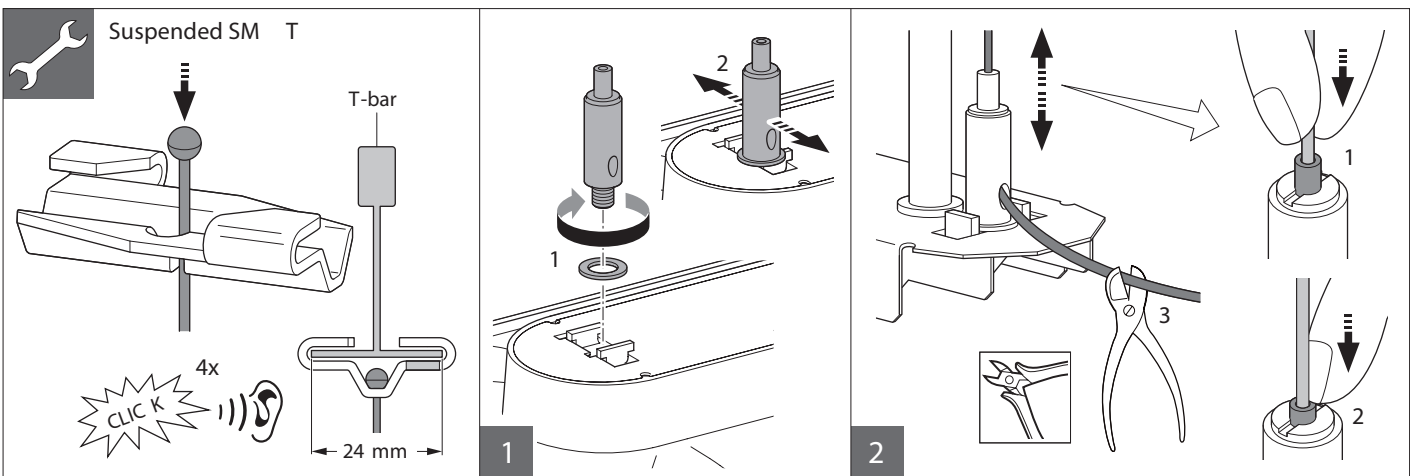
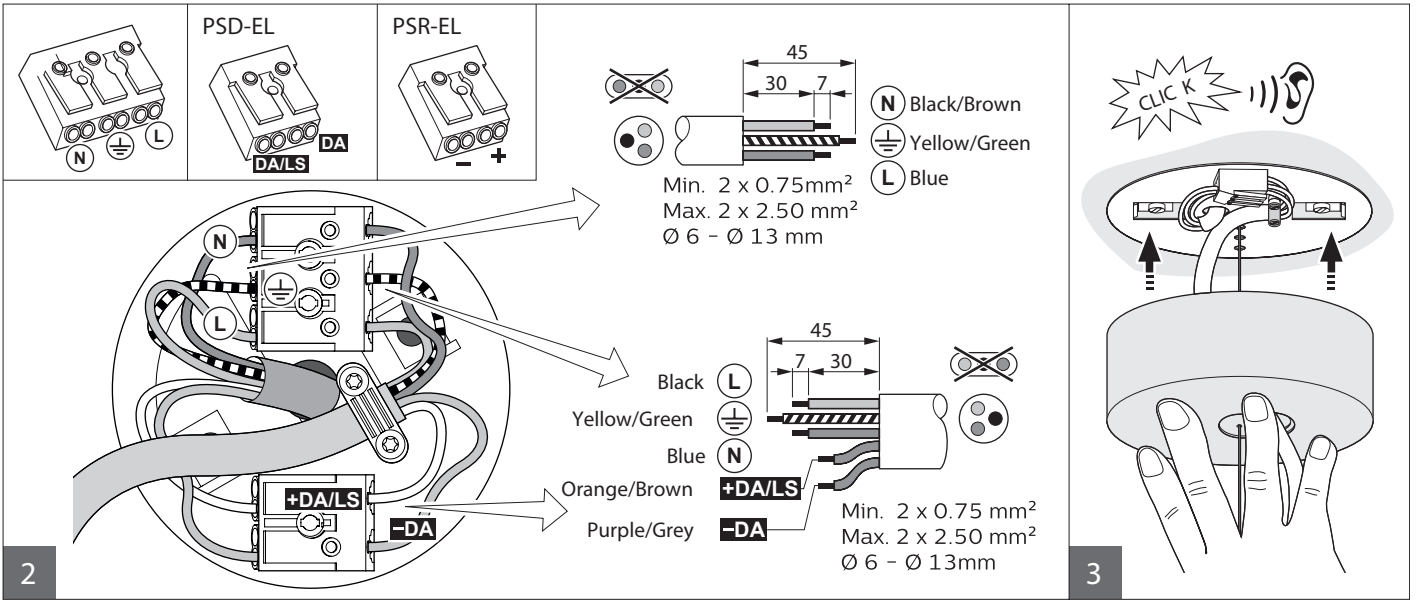
SP480P

4.5

SP482P

4.5

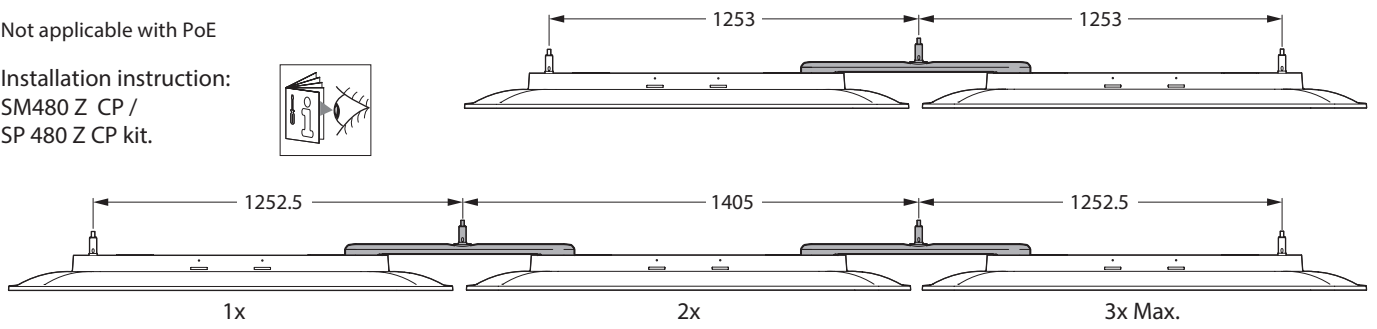




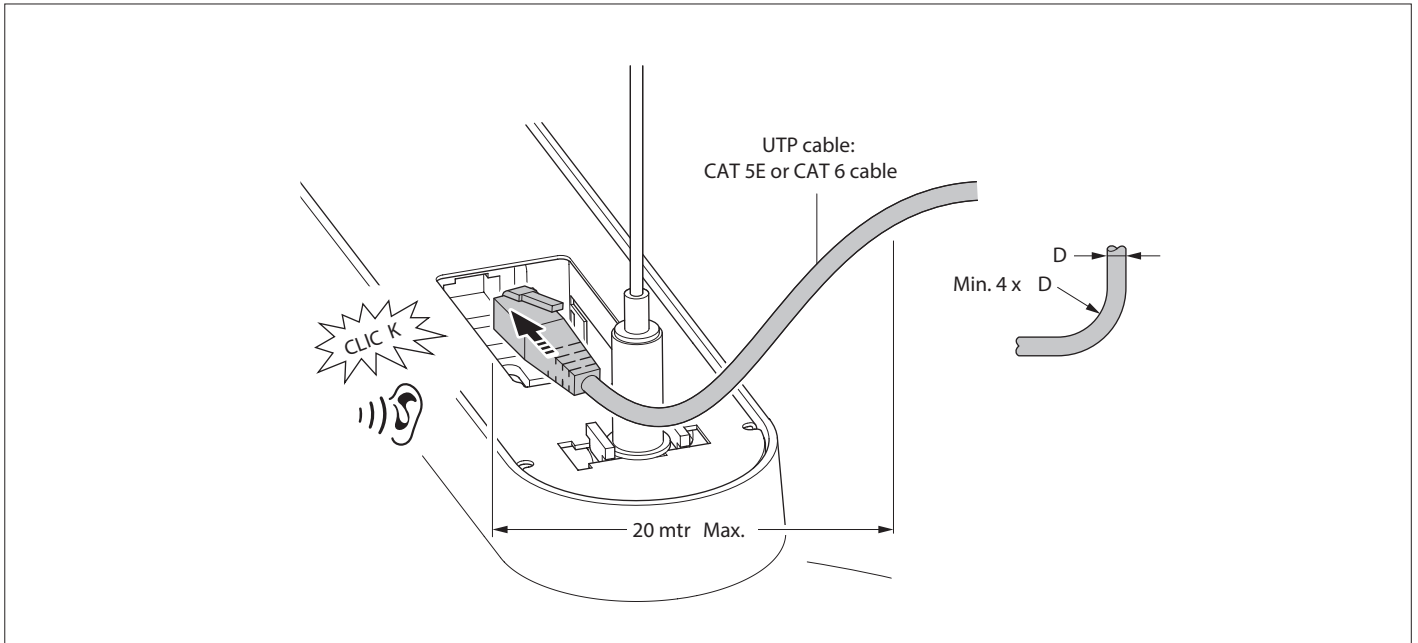
Coupling piece

Not applicable with PoE

Installation instruction:
SM480 Z CP /
SP 480 Z CP kit.



PoE



ATTENTION
OBSERVE PRECAUTIONS
FOR HANDLING
ELECTROSTATIC
SENSITIVE
DEVICES

ACL
versions only

Inrush current

	Xitanium 200VTD 230V
	75W
Electrical characteristics	
I_{max}(A)	48
T_{ref}(μs)	180
EL I max. (mA)	0,7
Luminares Max.	
MCB (16A-B)	20
EL CB 30mA	30

EL = Earth leakage