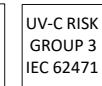
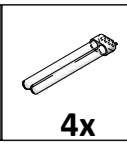
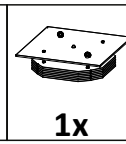
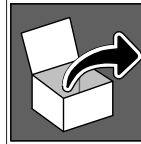
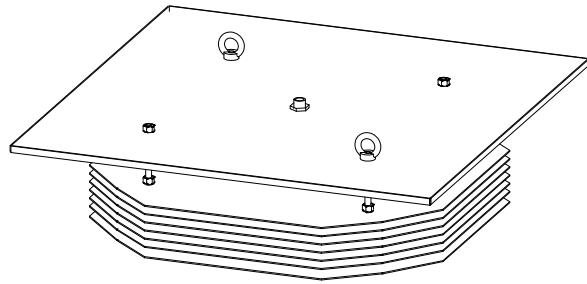


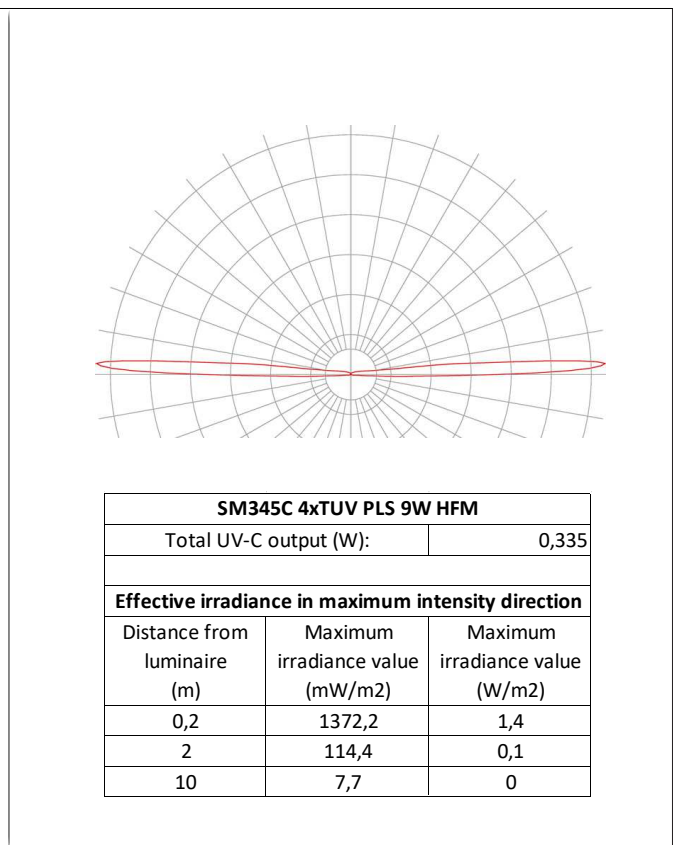
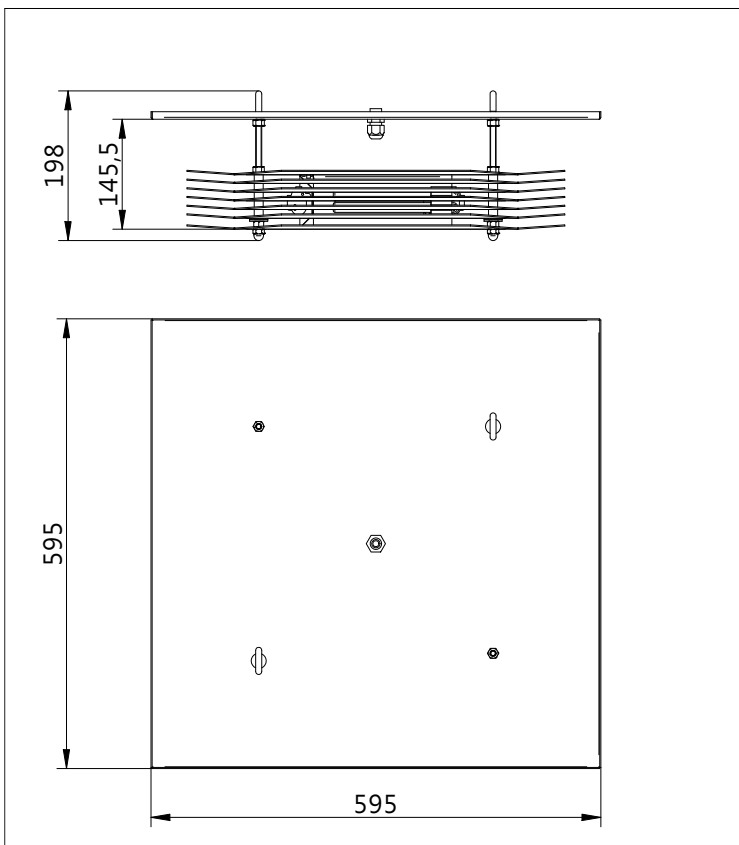
# PHILIPS

## SM345C

SM345C 4xTUV  
PLS 9W HFM



FAMILY NAME	UV-C lamp type	Ballast type	Useful lamp lifetime	kg
	(12 NC)	(12 NC)		
SM345C	TUV PL-S 9W/4	HF-M BLUE 109 LH TL/PL-S 230-240V	9000 hrs	5,8
	(927901904007)	(913700421366)		

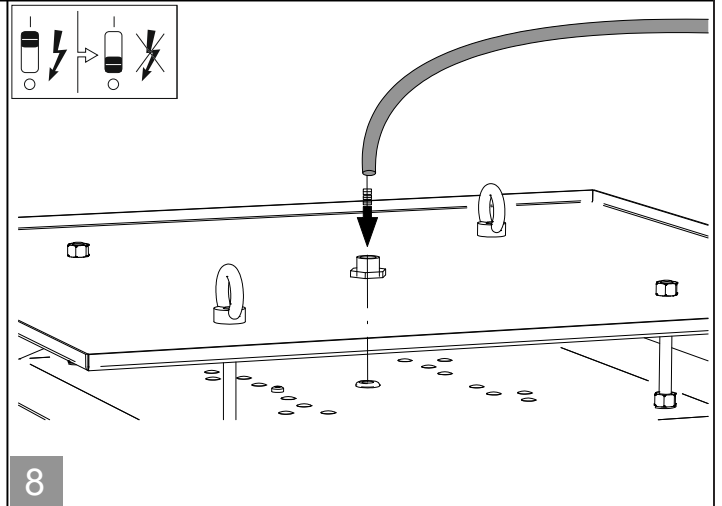
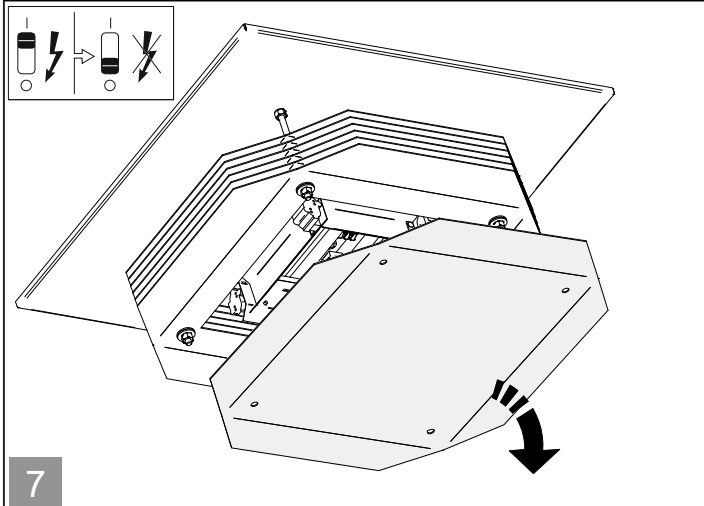
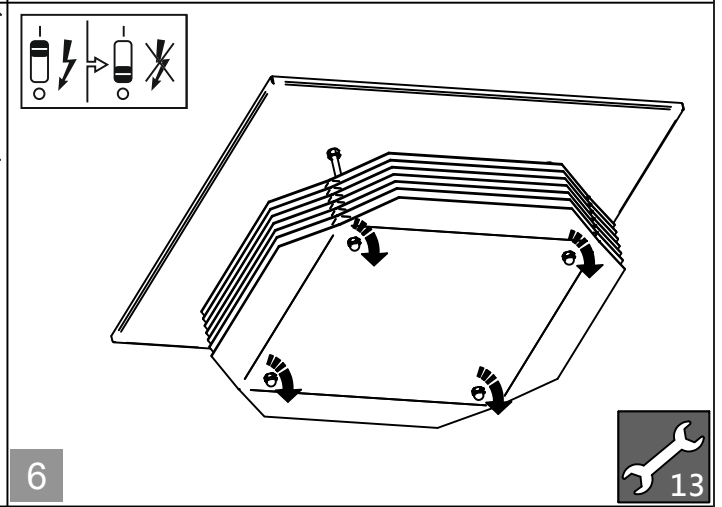
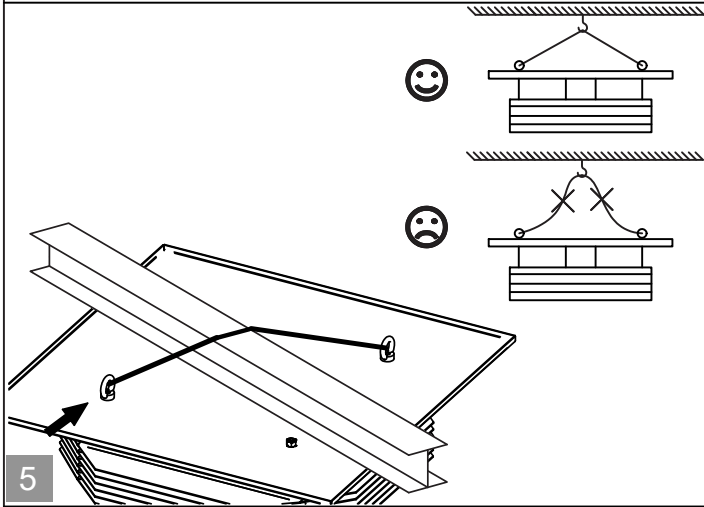
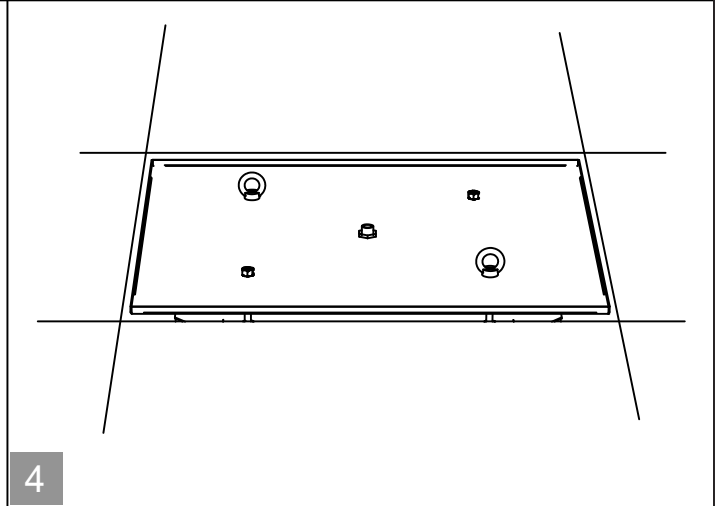
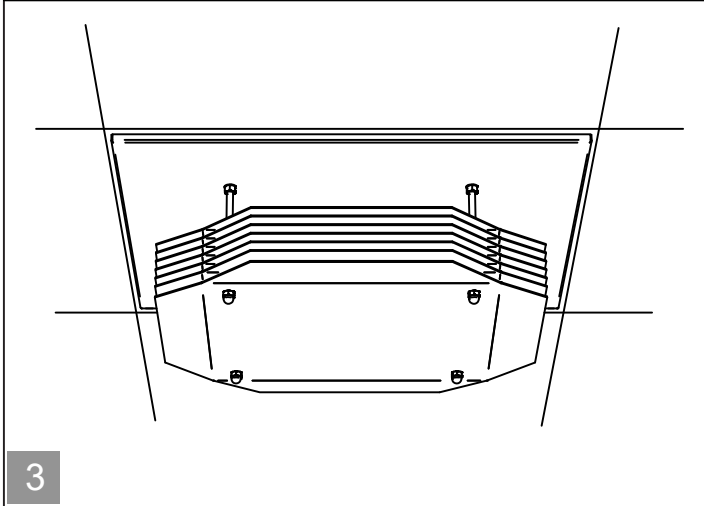
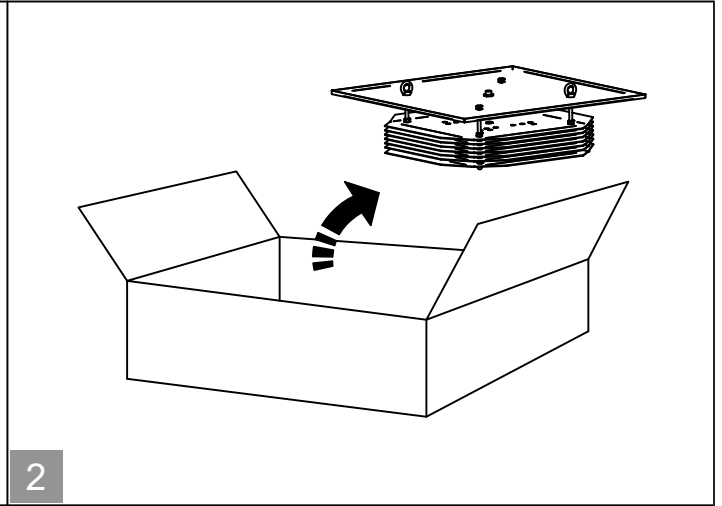
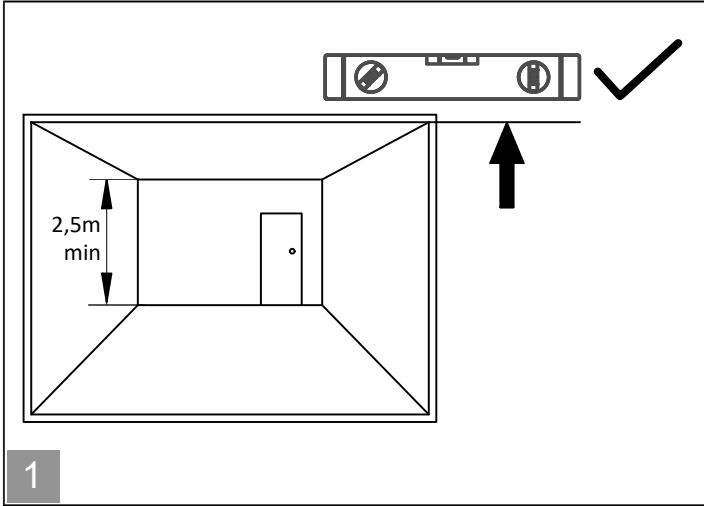


442294842781

© 09 / 2020, Signify Holding All rights reserved  
Printed in Poland  
Data subject to change without notice  
Keep for future reference: [www.philips.com/lighting](http://www.philips.com/lighting)



Scan QR code or follow the link to get to training materials  
[www.philips.com/uvctraining](http://www.philips.com/uvctraining)





# USER MANUAL

## Content

1. UV-C basic information
2. Applicable safeguards and installation requirements for the wall mount UV-C device
3. Maintenance and safe use
4. Warnings concerning reasonably foreseeable improper usage, malfunctions, and hazardous failure modes.

### 1. UV-C basic information

What is UV-C?

Ultraviolet (UV) light is invisible to human eyes. It can be subdivided into three categories:

- UV-C from 200 to 280 nm - For disinfection purposes and germicidal application.
- UV-B from 280 to 315 nm - For medical use (i.e. phototherapy to treat skin conditions, including psoriasis).
- UV-A from 315 to 400 nm - For use with curing, tanning and insect traps.

How does UV-C work?

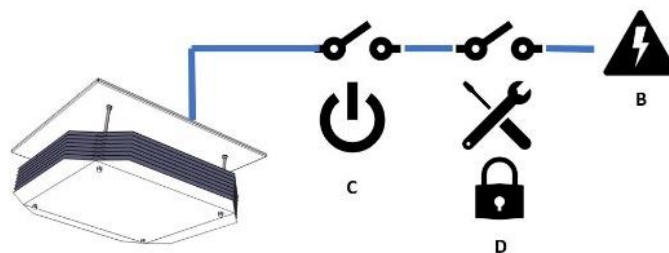
- UV-C radiation can break the DNA and RNA of bacteria, viruses and spores, meaning that they leave them harmless. There are no known micro-organisms resistant to UVC<sup>1</sup>.
- UV-C technology has been used safely and effectively in hospitals and governmental buildings for more than 40 years<sup>2</sup>.
- Most UV-C solutions utilize conventional lighting, with LED now improving in efficiency.
- The peak output of our germicidal lamps (253.7nm) is close (80-85%) to the maximum effectiveness of UV-C (265nm).
- Smaller UV-C wavelengths (222nm) are being explored as less harmful alternatives.

### 2. Installation requirements and safeguards for this product

The device described in this guide is designed to operate and provide UV-C irradiation in the open air of indoor rooms for disinfection. The disinfection happens in a germicidal zone over the height where people are occupying the room. Staying in the room where these luminaires are installed and turned on is allowed if the below instructions are followed while being present in the subject indoor room. To achieve this safe condition, the following precautions must be taken and followed and kept during use:

#### 2.1. Installation, electrical connection, and verification of installed products,

1. Installation of the products referenced herein should only happen after a design of the UV-C irradiation in the application itself, which defines exact positions for installation. (referenced commonly as lighting design).
2. The product installation must follow the pictorial instructions provided in this document, with the below precautions to be followed:
  - a. Check the product after unpacking for damage. Do not install physically damaged product.
  - b. Only install into ceilings that meets the following criteria:
    - i. Suitable to hold luminaire weight
    - ii. The ceiling is horizontal and suitable for the size of the fixture
    - iii. The product must be installed in a safe height as described in the pictorial instructions
    - iv. Attach safety anchorage strap to the luminaire to both top connection points (behind the ceiling after installation), as additional safety measure (safety strap not included)
3. **The product must be installed on a power circuit which meets the following criteria:**
  - A. Can be turned on/off separately from any general lighting used in the building
  - B. It meets the national electric code of the actual country of use and installation
  - C. It is separated from any lighting system by its own circuit breaker
  - D. The input power switch must be lockable for safe shutdown during maintenance



<sup>1</sup> Fluence (UV Dose) Required to Achieve Incremental Log Inactivation of Bacteria, Protozoa, Viruses and Algae Revised, updated and expanded by Adel Haji Malayeri, Madjid Mohseni, Bill Cairns and James R. Bolton. With earlier contributions by Gabriel Chevrefils (2006) and Eric Caron (2006) With peer review by Benoit Barbeau, Harold Wright (1999) and Karl G. Linden

<sup>2</sup> EPA Report, "Building Retrofits for Increased Protection Against Airborne Chemical and Biological Releases" Pg. 56

## 2.2. Visible marking of freely accessible height

Heights defined in this section are as below, defined by the distance to the floor.

- Ceiling height – Height of the ceiling measured from the floor, and has a minimum value of 2.5 m.
- Accessible height – Height, which defines the level to stay below during the operation of the UV-C unit. This height has a minimum value of 2.3 m.

During normal use of this product, it is strictly forbidden to climb, reach and/or enter by any means into the zone which is above the Accessible height. Above the accessible height, UV-C irradiance is high enough to cause injury and/or pose risk to human health.

The below marking needs to be placed into the room where the product is installed to distinguish and mark the accessible height. The markings must not blend into the surroundings. The height of installation of these marks is 1,7m from the floor for all locations where markings must be installed. It is not allowed to remove or cover the marks after installation by any means (examples of not allowed covering: overpainting, covering by furniture, temporary removal). If the actual position of installation requires, use additional fixation to prevent the markings from being removed from their position after installation (example: fixing with additional pins to avoid peeling off)

The marks must be placed in the following locations in the rooms where the product is installed.

- Any entry point to the room where the product is installed (example: outside of the door(s) of entry)
- Under the product itself or on the closest wall where free access in the room is available. If multiple fixtures installed in the same room, at least 1 mark per unit must be placed on the wall.



### Commissioning (Verification of the mounted products)

Installation of the products referenced herein should only happen after a design of the UV-C irradiation in the application itself (referenced generally as lighting design). In any case the installation cannot be handed over to the final customer without final commissioning of the products in the actual installation.

Steps of verification of the installed products are as below:

- ☑ Install luminaire to the pre-designed positions according to this document following all instructions
- ☑ Stay on the ground level and make sure no one is staying above 2m.
- ☑ Use personal protective equipment that protect against UV-C irradiation and/or accidental exposure.
- ☑ Turn on power to the luminaires.
- ☑ Survey the room with a sensitive UV-C meter at 1,7m height for UV-C levels. Ensure that the used UV-C meter is capable☑ to measure within the range of 0,2uW/cm<sup>2</sup> irradiance.
- ☑ UV-C levels are acceptable if they are at 0,2uW/cm<sup>2</sup> for an 8 hour exposure time, or an equivalent dose as per ISO 15858.
- ☑ If the intensity level is not according to the usage of the room (Exposure time and/or irradiance) the position and number☑ of units should be reconsidered and adjusted to reach the required level of irradiance in the actual installation.

### Maintenance:

The unit is designed for minimum maintenance need and time. Possible maintenance for the unit by a qualified person is limited to changing lamps in the unit.

Occasional UV-C measurements must be made to ensure that the UV-C levels in the treated areas remain within the allowable exposure limits. A regular cycle of cleaning the lamp and interior reflector must be established based on visual inspection and experience. The frequency of cleaning will vary with the conditions surrounding each installation. It is recommended that the lamp and reflector be cleaned at least every 6 months.

Lamp exchange needs can be identified by the lamps operating hours, or by doing periodic irradiance measurements at pre-defined positions of the actual installation in the final environment.

Lamp exchange and/or cleaning procedure must be executed in this order:

1. Identify the unit that needs cleaning or maintenance.
2. Use personal protective equipment that protect against UV-C irradiation and/or accidental exposure.
3. Make sure that power is turned off at the switch that is switching the UV-C devices centrally.
4. Lock out and tag out the lockable switch which in off state. This ensures safety during maintenance against accidental turn on.

5. Remove the 4 capped nuts from the bottom and remove the white bottom plate
6. Take out the 4 lamps by pulling it forward from the holder.
7. Clean the lamps with a soft, lint-free cloth.
8. Clean the reflectors with a soft, lint-free cloth. For reflectors, the cloth may be moistened with pure alcohol.
9. Place the lamp back into the lamp holders. If replacing lamp, place new lamp into position. Lamps contain mercury. Replaced old lamps should be disposed properly!
10. Re position the white plate and place the capped nuts back into position. Tighten the capped nuts.
11. Leave the area of the UV-C beam and stay in the freely accessible zone as defined by the visible marking safeguard.
12. Remove the lockout tagout from the switch at the central switch location
13. Turn on power
14. Repeat the commissioning process to make sure that after lamp replacement, the irradiance levels are still acceptable

**In case of lamp breakage follow below instruction:**

**Before Cleanup:**

- Have people and pets leave the room and avoid the breakage area on the way out.
- Open a window or door to the outdoors and leave the room for 5-10 minutes.
- Shut off the central forced-air heating/air conditioning (HVAC) system if you have one.
- Collect materials you will need to clean up the broken bulb:
- Stiff paper or cardboard
- Sticky tape (e.g., duct tape)
- Damp paper towels or disposable wet wipes (for hard surfaces)
- Glass jar with a metal lid (such as a canning jar) or a sealable plastic bag(s)

**Cleanup Steps for Hard Surfaces**

1. Carefully scoop up glass fragments and powder using stiff paper or cardboard and place debris and paper/cardboard in a glass jar with a metal lid. If a glass jar is not available, use a sealable plastic bag. (NOTE: Since a plastic bag will not prevent the mercury vapor from escaping, remove the plastic bag(s) from the home after cleanup.)
2. Use sticky tape, such as duct tape, to pick up any remaining small glass fragments and powder. Place the used tape in the glass jar or plastic bag.
3. Wipe the area clean with damp paper towels or disposable wet wipes. Place the towels in the glass jar or plastic bag.
4. Vacuuming of hard surfaces during cleanup is not recommended unless broken glass remains after all other cleanup steps have been taken. [NOTE: It is possible that vacuuming could spread mercury-containing powder or mercury vapor, although available information on this problem is limited.] If vacuuming is needed to ensure removal of all broken glass, keep the following tips in mind:
  - a. Keep a window or door to the outdoors open.
  - b. Vacuum the area where the bulb was broken using the vacuum hose, if available; and
  - c. Remove the vacuum bag (or empty and wipe the canister) and seal the bag/vacuum debris, and any materials used to clean the vacuum, in a plastic bag.
5. Promptly place all bulb debris and cleanup materials, including vacuum cleaner bags, outdoors in a trash container or protected area until materials can be disposed of. Avoid leaving any bulb fragments or cleanup materials indoors.
6. Next, check with your local government about disposal requirements in your area, because some localities require fluorescent bulbs (broken or unbroken) be taken to a local recycling center. If there is no such requirement in your area, you can dispose of the materials with your household trash.
7. Wash your hands with soap and water after disposing of the jars or plastic bags containing bulb debris and cleanup materials.
8. Continue to air out the room where the bulb was broken and leave the HVAC system shut off, as practical, for several hours.

**Cleanup Steps for Carpeting or Rugs**

1. Carefully scoop up glass fragments and powder using stiff paper or cardboard and place debris and paper/cardboard in a glass jar with a metal lid. If a glass jar is not available, use a sealable plastic bag. (NOTE: Since a plastic bag will not prevent the mercury vapor from escaping, remove the plastic bag(s) from the home after cleanup.)
2. Use sticky tape, such as duct tape, to pick up any remaining small glass fragments and powder. Place the used tape in the glass jar or plastic bag.
3. Vacuuming of carpeting or rugs during cleanup is not recommended unless broken glass remains after all other cleanup steps have been taken. [NOTE: It is possible that vacuuming could spread mercury-containing powder or mercury vapor, although available information on this problem is limited.] If vacuuming is needed to ensure removal of all broken glass, keep the following tips in mind:
  - a. Keep a window or door to the outdoors open
  - b. Vacuum the area where the bulb was broken using the vacuum hose, if available, and

- c. Remove the vacuum bag (or empty and wipe the canister) and seal the bag/vacuum debris, and any materials used to clean the vacuum, in a plastic bag.
4. Promptly place all bulb debris and cleanup materials, including vacuum cleaner bags, outdoors in a trash container or protected area until materials can be disposed of. Avoid leaving any bulb fragments or cleanup materials indoors.
5. Next, check with your local government about disposal requirements in your area, because some localities require fluorescent bulbs (broken or unbroken) be taken to a local recycling center. If there is no such requirement in your area, you can dispose of the materials with your household trash.
6. Wash your hands with soap and water after disposing of the jars or plastic bags containing bulb debris and cleanup materials.
7. Continue to air out the room where the bulb was broken and leave the HVAC system shut off, as practical, for several hours.

**Future Cleaning of Carpeting or Rugs:**

1. Air Out the Room During and After Vacuuming
2. The next several times you vacuum the rug or carpet, shut off the HVAC system if you have one, close the doors to other rooms, and open a window or door to the outside before vacuuming. Change the vacuum bag after each use in this area.
3. After vacuuming is completed, keep the HVAC system shut off and the window or door to the outside open, as practical, for several hours.

**Reasonably foreseeable improper usage, malfunctions, and hazardous failure modes.**

Issue / Failure mode	Potential effect (s of failure)	Potential cause(s) / Mechanism(s) of failure	Prevention
Irradiance too low in the germicidal zone	dose too low leading to reduced disinfection rate which may cause airborne pathogens remaining inactivated	T ambient of application	Temperature monitoring, keep temperature within limits described in product specification
	dose too low leading to reduced disinfection rate which may cause airborne pathogens remaining inactivated	shadowed area of UV-C	Make sure treated area will not be shadowed by other objects
	dose too low leading to reduced disinfection rate which may cause airborne pathogens remaining inactivated	dust on UVC source	Make sure lamp (UVC source) is clean and free of dust
No dose at all - thus no disinfection function	Luminaire is not on	luminaire is not connected	Connect luminaire according to manual instruction
	driver not working	luminaire is not switched on	Switch on luminaire with all safety measure described in user manual
	Lamp not working	end of life or failure of driver	Replace driver by authorized provider
Exposure to higher dose than allowed for 8 hours stay	Unintended human exposure to UVC, sunburn-like reaction to the skin and serious damage to the cornea	Too high reflections from walls	Do not allow changes to room layout after installation.
Exposure to higher dose than allowed for 8 hours stay	Unintended human exposure to UVC, sunburn-like reaction to the skin and serious damage to the cornea	Too high reflections from walls	In case of rooms that have movable walls, commission for smallest room size layout.
Accidental exposure in the main beam	Unintended human exposure to UVC, sunburn-like reaction to the skin and serious damage to the cornea	Visible marking safeguard is not followed	Check training materials and user manual. Reinforce use of visible marking safeguard
Accidental exposure in the main beam	Unintended human exposure to UVC, sunburn-like reaction to the skin and serious damage to the cornea	Visible marking safeguard is not installed	
Lamp is broken during replacement	Hg from the lamp may contaminate surface and room	Accidental fall of lamp while relamping	Be careful and focused while relamping. Follow replacement instruction. In case of breakage follow instruction how to clean Hg contamination.
Goods and surroundings damage due to UV-C	Material degradation, painting fade away due to UVC	Precious goods and non UV-C resistant materials around luminaire in germicidal zone are not secured while lamp operating	Make sure all precious goods / objects/ signs are removed or hidden/protected from direct UVC application

## (GB) Safety precautions



- This product is **UVC Risk Group 3** rated, according to IEC 62471.
- Warning: **UV-C** emitted from this product. Avoid eye and skin exposure to unshielded product. Follow installation instructions and user manual.
- Warning: Our UV-C Products are not meant to be used in applications or activities which may cause and/or lead to death, personal injury and/or damage to the environment.
- As UV-C is invisible to the eye, the UV-C device must be installed together with adequate safeguards to ensure that the UV-C device can be operated in a safe way.
- The UV-C device are only to be used as components in a system that consists of adequate safety safeguards such as, but not limited to, those indicated in the mounting instructions and/or user manuals.
- Warning: Do not use without reading the content in Instructional Safeguards (Mounting Instruction and User Manual), ensuring control solution Containment Safeguard in place and completing a Training Safeguard.
- Warning: Materials that are exposed to **UV-C** for a long time may become damaged and/or discolored.
- Lamps include Mercury. If a lamp breaks, ventilate the room for 30 minutes and remove the parts, preferably with gloves. Put them in a sealed plastic bag and take it to your local waste facilities for recycling. Do not use a vacuum cleaner. Please follow User Manual.
- The luminaire shall be installed by a qualified electrician and wired in accordance with the latest IEE electrical regulations or the national requirements.
- Driver insulation: Basic according to IEC 61347-1.
- During installation or when maintaining the luminaire please use static free gloves to avoid marks on the luminaire.
- To remove dirt and spots use the following:
  - Dust: only use microfiber cloths.
  - Fingerprints, etc.: use a cleaner for synthetic materials with antistatic properties.

## (DK) Sikkerhedsforanstaltninger



- Dette produkt er UVC Risk Group 3 vurderet i henhold til IEC 62471.
- Advarsel: Der udsendes UV-C fra dette produkt. Undgå øjen- og hudeksponering for uafskærmet produkt. Følg installations- og brugervejledning.
- Advarsel: Vores UV-C-produkter er ikke beregnet til brug i applikationer eller aktiviteter, der kan forårsage og/eller føre til død, personskade og/eller miljøskade.
- Da UV-C er usynlig for øjet, skal UV-C-grundarmaturet installeres sammen med passende sikkerhedsforanstaltninger for at sikre, at UV-C-armaturet kan betjenes på en sikker måde.
- UV-C-lægter må kun anvendes som komponenter i et system, der består af tilstrækkelige sikkerhedsforanstaltninger, såsom men ikke begrænset til, dem, der er angivet i monteringsvejledningen og/eller brugervejledningerne.
- Advarsel: Må ikke anvendes uden at læse indholdet i Instruktionsgarantien (monteringsvejledning og brugervejledning), der sikrer kontrolløsning. En Indeslutningssikring på plads og fuldfører en uddannelsessikring.
- Advarsel: Materialer, der har været udsat for UV-C i lang tid, kan blive beskadiget og/eller misfarvet.
- Lamperne indeholder kviksløv. Hvis en lampe går i stykker, skal du ventilere rummet i 30 minutter og fjerne delene, helst med handsker. Læg dem i en forseglet plastikpose og tage det til dit lokale affaldsanlæg til genanvendelse. Brug ikke en støvsuger. Følg brugervejledningen.
- Armaturet skal installeres af en autoriseret elektriker og kables i overensstemmelse med de seneste IEE elektriske forskrifter eller de nationale krav.
- Driver isolering: Grundlæggende i henhold til IEC 61347-1.
- Brug antistatiske handsker under montering og vedligeholdelse, for at undgå mærker på armaturet.
- Brug følgende for at fjerne snavs og pletter:
  - Støv: Brug kun mikrofiberklude.
  - Fingeraftryk osv.: Brug et rengøringsmiddel til syntetiske materialer med antistatiske egenskaber

## (SE) Säkerhetsåtgärder





- Denna produkt är klassad som UVC-riskkategori 3 enligt IEC 62471.
- Varning: UVC-utsläpp från denna produkt. Undvik ögon - och hudexponering till oavskärmat produkt. Följ installationsanvisningarna och användarmanualen.
- Varning: Våra UVC-produkter är inte avsedda att användas i applikationer eller aktiviteter som kan orsaka och/eller leda till dödsfall, personskador och/eller miljöskador.
- Eftersom UVC är osynlig för ögat måste UVC-listen installeras tillsammans med adekvata skyddsåtgärder för att säkerställa att UVC-listen kan användas på ett säkert sätt.
- UVC-listerna ska endast användas som komponenter i ett system som består av adekvata säkerhetsskyddsåtgärder såsom men inte begränsat till, de som anges i monteringsanvisningarna och/eller användarmanualerna.
- Varning: Använd inte utan att läsa innehållet i Instruksionskydd (monteringsinstruktion och kontrollösningen Inneslutningsskydd är på plats och slutför en Skyddsutbildning.
- Varning: Material som utsätts för UVC under lång tid kan skadas och/eller missfärgas.
- Lampor innehåller kvicksilver. Om en lampa går sönder, ventiler rummet i 30 minuter och ta bort delarna, helst med handskar. Lägg dem i en förseglad plastpåse och ta den till din lokala avfallsanläggning för återvinning. Använd inte dammsugare. Följ användarmanualen.
- Armaturen ska installeras av en kvalificerad elektriker och vara kabelansluten i enlighet med de senaste IEE - elektriska bestämmelserna eller de nationella kraven.
- Isolering av drivenhet: Grundläggande enligt IEC 61347-1.
- Använd antistatiska handskar för att undvika märken på armaturen under installationen eller vid underhåll av armaturen.
- För att ta bort smuts och fläckar använder du följande:
  - Damm: använd endast mikrofiberdukar.
  - Fingeravtryck osv: använd ett rengöringsmedel för syntetiska material med antistatiska egenskaper.

#### (NO) Sikkerhetsforholdsregler



- Dette produktet er Risikogruppe 3-gradert, i henhold til IEC 62471.
- Advarsel: UV-C-stråling fra dette produktet. Unngå øye - og hud -påvirkning fra ubeskyttet produkt. Følg installasjonsinstruksjoner og brukerveiledning.
- Advarsel: Våre UV -C-produkter er ikke ment å bli brukt i applikasjoner eller aktiviteter som kan forårsake og/eller føre til død, personlig skade og/eller skade på miljøet.
- Siden UV-C ikke er synlig for øyet, må UV -C-lampen installeres sammen med passende sikkerhetsinnretninger for å sikre at UV-C-lampen kan betjenes på en trygg måte.
- UV-C-lampen kan bare brukes som en del av et system som består av passende sikkerhetsinnretninger som er, men ikke begrenset til de som angis i monteringsinstruksjonene og brukermanualen.
- Advarsel: Ikke bruk uten å ha lest innholdet i sikkerhetsinstruksjonene (Monteringsinstruksjonene og Brukermanualen), som sikrer at begrensende sikkerhetsforholdsregler er på plass og at det gjennomføres opplæring som sørger for nødvendige forholdsregler.
- Advarsel: Materialer som utsettes for UV-C over lang tid kan bli ødelagt eller misfarget.
- Lamper som inkluderer kvikksølv. Hvis en lampe knuses må rommet ventileres i 30 minutter og glasskår fjernes, fortrinnsvis ved bruk av hansker. Putt glasskårene i en forseglet plastpose og avlever til et lokalt avfallsanlegg for gjenvinning. Bruk ikke støvsuger. Følg Brukermanualen.
- Lampeenheten må installeres av en kvalifisert elektriker og koplett opp i henhold til de nyeste IEE elektriske forskrifter eller nasjonale krav.
- Drivrisolasjon: Grunnleggende i henhold til IEC 61347-1
- Under installasjon eller vedlikehold på armaturet, bruk hansker som motvirker statisk elektrisitet for å unngå merker på armaturet.
- For å fjerne skitt og flekker, utfør følgende:
  - Støv; bruk utelukkende en mikrofiberklut.
  - Fingeravtrykk, etc.: bruk rengjørere for syntetiske materialer med antistatiske egenskaper.

#### (ES) Precauciones de seguridad



- Este producto está clasificado en el Grupo de Riesgo 3, de conformidad con la norma IEC 62471.
- ¡Advertencia! Este producto emite radiación UV-C. Evite la exposición de los ojos y la piel al producto no protegido. Siga las instrucciones de instalación y el manual del usuario.
- ¡Advertencia! Nuestros productos UV -C no están destinados a ser utilizados en aplicaciones o actividades que puedan causar y/o provocar la muerte, lesiones personales y/o daños al medio ambiente.
- Como la luz UV-C es invisible a los ojos, las regletas UV -C deben instalarse junto con las salvaguardias adecuadas para garantizar que puedan ser utilizadas de manera segura.
- Las regletas UV -C solo deben usarse como componentes en un sistema que consta de salvaguardias de seguridad adecuadas, tales como, entre otras, las indicadas en las instrucciones de montaje y/o manual del usuario.
- ¡Advertencia! No use el producto sin leer el contenido de las salvaguardias instructivas (instrucciones de montaje y manual del usuario), y asegúrese de que la solución disponga de un sistema de control de salvaguardias de contención, así como haber realizado la formación específica sobre salvaguardias.
- ¡Advertencia! Los materiales que están expuestos a la radiación UV-C durante mucho tiempo pueden dañarse y/o decolorarse.
- Las lámparas contienen mercurio. Si se rompe una lámpara, ventile la habitación durante 30 minutos y retire los desechos, preferiblemente con guantes. Póngalos en una bolsa de plástico sellada y llévela a la instalación de residuos local para su reciclaje. No use una aspiradora. Por favor, siga el manual del usuario.
- La luminaria debe ser instalada por un electricista cualificado y el conexionado eléctrico se realizará de acuerdo con las últimas regulaciones eléctricas de la IEE o los requisitos nacionales.
- Aislamiento del driver: básico según la norma IEC 61347-1.
- Durante la instalación o al realizar el mantenimiento de la luminaria, use guantes antiestáticos para evitar marcas en la luminaria.
- Para eliminar la suciedad y las manchas, use lo siguiente:
  - Polvo: utilice solamente paños de microfibra;
  - Huellas digitales, etc.: utilice un limpiador para materiales sintéticos con propiedades antiestáticas.

#### (PT) Precauções de segurança



- Este produto está classificado no Grupo de Risco 3, de acordo com a norma IEC 62471.
- Aviso! A radiação UV-C é emitida pelo este produto. Evite a exposição dos olhos e da pele ao produto não protegido. Siga as instruções de instalação e o manual do utilizador.
- Aviso! Os nossos produtos UV-C não se destinam ao uso em aplicações ou atividades que possam causar e/ou levar à morte, ferimentos pessoais e/ou danos ao meio ambiente.
- Como a luz UV-C é invisível aos olhos, o sarrafo UV-C deve ser instalado juntamente com as salvaguardas adequadas para garantir que possa ser operado com segurança.
- Os sarrafos UV-C devem ser usados apenas como componentes num sistema que consiste em salvaguardas de segurança adequadas, tais como, entre outras, as indicadas nas instruções de montagem e/ou manual do utilizador.
- Aviso! Não use o produto sem ler o conteúdo das salvaguardas instrucionais (instruções de montagem e manual do utilizador), que fornecem a solução de controlo da salvaguarda de contenção, e completem a salvaguarda de formação.
- Aviso! Os materiais expostos à radiação UV-C por um longo período podem ser danificados e/ou descoloridos.
- As lâmpadas contêm mercúrio. Se uma lâmpada quebrar, ventile a habitação por 30 minutos e remova os detritos, preferentemente com luvas. Coloque -os num saco plástico selante e leve -o para a instalação de resíduos local para reciclagem. Não use um aspirador de pó. Por favor, siga o manual do utilizador.
- A luminária deve ser instalada por um electricista qualificado e cabeada de acordo com os mais recentes regulamentos elétricos da IEE ou com os requisitos nacionais.
- Isolamento do driver: básico de acordo com a norma IEC 61347.
- Durante a instalação ou manutenção da luminária, use luvas antiestáticas para evitar marcas na luminária.
- Para remover sujeira e manchas, use o seguinte:
  - Pó: use apenas panos de microfibra;
  - Impressões digitais, etc.: use um limpador para materiais sintéticos com propriedades antiestáticas.

#### (NL) Veiligheidsvoorschriften



- Dit product is geclassificeerd voor UV-C risicogroep 3, volgens IEC 62471.
- Waarschuwing: Dit product straalt UV-C uit. Vermijd blootstelling van de ogen en huid aan het onbeschermd product. Volg de installatie-instructies en de gebruikershandleiding.
- Waarschuwing: Onze UV-C-producten zijn niet bedoeld voor gebruik in toepassingen of activiteiten die de dood, persoonlijke letsels en/of schade aan het milieu kunnen veroorzaken of daartoe kunnen leiden.
- Aangezien UV -C onzichtbaar is voor de ogen, moet de UV-C-balk samen met toereikende beschermingen geïnstalleerd worden om te garanderen dat de UV-C-balk op een veilige manier bediend kan worden.
- De UV-C-balken mogen alleen gebruikt worden als onderdelen in een systeem dat bestaat uit toereikende beschermingen zoals, maar niet beperkt tot, diegene de aangeduid worden in de montage -instructies en/of gebruikshandleidingen.
- Waarschuwing: Gebruik niet zonder de inhoud te lezen in de rubriek 'Instructionele beschermingen' (montage -instructie en gebruikshandleiding) en zorg ervoor dat de controle - oplossing 'Inperkingsbescherming' toegepast wordt en dat u een opleiding over bescherming voltooit.
- Waarschuwing: Materialen die gedurende een lange periode blootgesteld worden aan UV-C kunnen beschadigd worden en/of verkleuren.
- De lampen bevatten kwik. Als een lamp breekt, verlucht de kamer dan gedurende 30 minuten en ve rwijder de scherven, bij voorkeur met handschoenen. Steek deze in een verzegelde plastic zak en neem deze naar je plaatselijk recyclingpunt. Gebruik geen stofzuiger. Volg de gebruikershandleiding a.u.b.
- De armatuur moet geïnstalleerd worden door een gekwal ificeerde elektricien en moet aangesloten worden in overeenstemming met de nieuwste elektrische voorschriften van het IEE (Instution of Electrical Engineers) of de nationale voorschriften.
- Isolatie van de aandrijver: Basaal volgens IEC 61347-1.
- Gebruik tijdens de installatie van de armatuur a.u.b. niet-statische handschoenen om sporen op de armatuur te vermijden.
- Gebruik het volgende om vuil en vlekken te verwijderen:
  - Stof: gebruik alleen microvezeldoeken.
  - Vingerafdrukken etc.: gebruik een schoonmaakmiddel voor synthetische materialen met antistatische eigenschappen.

#### (IT) Precauzioni per la sicurezza



- Questo prodotto è classificato nel Gruppo di rischio 3 UVC, a norma IEC 62471.
- Attenzione: Questo prodotto emette radiazioni UV-C. Evitare l'esposizione di occhi e pelle al prodotto non schermato. Rispettare le istruzioni di installazione e il manuale operativo.
- Attenzione: I nostri prodotti UV-C non devono essere utilizzati in applicazioni o attività che possono causare e/o comportare morte, lesioni personali e/o danni all'ambiente.
- Poiché le radiazioni UV -C sono invisibili, la lampada UV-C deve essere installat a insieme ad adeguate protezioni che ne garantiscano l'impiego sicuro.
- Le lampade UV-C devono essere utilizzate solo come componenti in un sistema costituito da adeguate protezioni di sicurezz quali, ma non solo, quelle indicate nelle istruzioni di installazione e/o nei manuali operativi.
- Attenzione: Non utilizzare senza aver preventivamente letto il contenuto delle Istruzioni per la sicurezza (Istruzioni di installazione e Manuale operativo), aver garantito soluzioni d i controllo funzionanti per il contenimento e aver completato la Formazione sulla sicurezza.
- Attenzione: I materiali che sono esposti a lungo alle radiazioni UV-C possono danneggiarsi e/o scolorirsi.
- Le lampade contengono mercurio. Se una lam pada si rompe, ventilare la stanza per 30 minuti e rimuovere i detriti preferibilmente indossando i guanti. Porre tali rifiuti in un sacchetto di plastica sigillato e portarli nelle strutture locali di smaltimento dei rifiuti per il riciclaggio. Non utilizzare un aspirapolvere. Seguire le istruzioni del manuale operativo.
- L'apparecchio deve essere installato da un elettricista qualificato e cablato in conformità alle più recenti normative elettr iche IEE o ai requisiti nazionali.
- Isolamento del reattore: di base, a norma IEC 61347-1.
- Durante l'installazione o la manutenzione dell'apparecchio, utilizzare guanti antistatici per evitare segni sull'apparecchio.
- Per rimuovere sporco e macchie agire come segue:
  - Polvere: utilizzare solo panni in microfibra
  - Impronte digitali, ecc.: utilizzare un detergente per materiali sintetici con proprietà antistatiche.

## (GR) Προληπτικά μέτρα ασφαλείας



- Αυτό το προϊόν έχει βαθμολογηθεί ως ομάδας κινδύνου UVC 3, σύμφωνα με το IEC 62471.
- Προειδοποίηση: Αυτό το προϊόν εκπέμπει υπεριώδη ακτινοβολία Γ (UV-C). Αποφύγετε την έκθεση των ματιών και του δέρματος σε αθωράκιστο προϊόν. Ακολουθήστε τις οδηγίες εγκατάστασης και το εγχειρίδιο χρήστη.
- Προειδοποίηση: Τα προϊόντα μας με υπεριώδη ακτινοβολία Γ δεν προορίζονται για χρήση σε εφαρμογές ή δραστηριότητες που ενδέχεται να προκαλέσουν ή/και να οδηγήσουν σε θάνατο, σωματική βλάβη ή/και ζημιά στο περιβάλλον.
- Καθώς η υπεριώδης ακτινοβολία Γ είναι αόρατη για το μάτι, η ράβδος με υπεριώδη ακτινοβολία Γ πρέπει να εγκατασταθεί μαζί με επαρκή μέτρα προφύλαξης, ώστε να διασφαλιστεί ότι η ράβδος με υπεριώδη ακτινοβολία Γ μπορεί να λειτουργήσει με ασφαλή τρόπο.
- Οι ράβδοι με υπεριώδη ακτινοβολία Γ πρέπει να χρησιμοποιούνται μόνο ως εξαρτήματα σε ένα σύστημα που περιλαμβάνει επαρκή μέτρα προφύλαξης, όπως, ενδεικτικά, αυτά που αναφέρονται στις οδηγίες εγκατάστασης ή/και στα εγχειρίδια χρήσης
- Προειδοποίηση: Μην το χρησιμοποιείτε χωρίς να διαβάσετε το περιεχόμενο στις Οδηγίες για τα μέτρα προφύλαξης (Οδηγίες τοποθέτησης και Εγχειρίδιο χρήστη), διασφαλίζοντας ότι υπάρχει Σύστημα ελέγχου διασφάλισης περιορισμού για φωτιστικό υπεριώδους ακτινοβολίας Γ, και χωρίς να ολοκληρώσετε μια εκπαίδευση στα μέτρα προφύλαξης.
- Προειδοποίηση: Τα υλικά που εκτίθενται σε υπεριώδη ακτινοβολία Γ για μεγάλο χρονικό διάστημα ενδέχεται να υποστούν ζημιά ή/και αποχρωματισμό.
- Οι λαμπτήρες περιλαμβάνουν υδράργυρο. Εάν σπάσει ένας λαμπτήρας, αερίστε το δωμάτιο για 30 λεπτά και αφαιρέστε τα θραύσματα, κατά προτίμηση με γάντια. Βάλτε τα σε μια πλαστική σακούλα που κλείνει και μεταφέρετέ τα στις τοπικές εγκαταστάσεις αποβλήτων για ανακύκλωση. Μη χρησιμοποιείτε ηλεκτρική σκούπα. Ακολουθήστε το Εγχειρίδιο χρήστη.
- Η εγκατάσταση και η καλωδίωση του φωτιστικού σώματος πρέπει να γίνει από εξειδικευμένο ηλεκτρολόγο, σύμφωνα με του τελευταίους ηλεκτρολογικούς κανονισμούς του IEE (Ινστιτούτου Ηλεκτρολόγων Μηχανικών) ή τις εθνικές απαιτήσεις.
- Μόνωση οδηγού: Βασικό σύμφωνα με το IEC 61347-1.
- Κατά τη διάρκεια της εγκατάστασης ή κατά τη συντήρηση του φωτιστικό, χρησιμοποιήστε αντιστατικά γάντια για να αποφύγετε τα σημάδια στο φωτιστικό.
- Για να αφαιρέσετε βρωμιά και κηλίδες, χρησιμοποιήστε τα ακόλουθα:
  - Σκόνη: χρησιμοποιείτε μόνο πανιά μικροϊνών.
  - Δακτυλικά αποτυπώματα κλπ.: χρησιμοποιήστε ένα καθαριστικό για συνθετικά υλικά με αντιστατικές ιδιότητες.

## (FR) Précautions de sécurité



- Conformément à CEI 62471, ce produit est classé dans le Groupe de risque 3 relatif aux UV-C.
- Attention: ce produit émet les UV-C. Évitez l'exposition des yeux et de la peau à un produit non protégé des rayonnements direct. Suivez les instructions d'installation et le Guide d'utilisateur.
- Attention: Nos produits UV-C ne sont pas destinés à être utilisés dans des applications ou des activités qui peuvent causer et/ou entraîner la mort, des blessures corporelles et/ou des dommages à l'environnement.
- Comme les UV-C sont invisibles, la réglette UV-C doit être installée avec des protections appropriées pour garantir qu'elle puisse être utilisée en toute sécurité.
- Les réglettes UV-C ne doivent être utilisées qu'en tant que composants d'un système qui comprend des mesures de sécurité adéquates telles que (mais pas uniquement) celles indiquées dans les instructions de montage et/ou les guides d'utilisateur.
- Attention: ne pas utiliser sans lire le contenu des consignes d'utilisation (Instruction de montage et Guide d'utilisateur), et en veillant à ce que les mesures de confinement et de contrôle soient mises en place et en sans avoir réalisé la Formation sur les Mesures de protection.
- Attention: les matériaux qui sont exposés aux UV-C pendant une longue période peuvent être endommagés et/ou décolorés.
- Les lampes contiennent du mercure. Si une lampe se casse, aérez la pièce pendant 30 minutes et éliminez les débris avec des gants. Mettez-les dans un sac en plastique fermé et apportez -les à votre centre local de traitement des déchets pour recyclage. N'utilisez pas d'aspirateur. Veuillez suivre le Guide d'utilisateur.
- Le luminaire doit être installé par un électricien qualifié et connecté conformément aux réglementations électriques en vigueur.
- Isolation du ballast: classique conformément à CEI 61347-1.
- Pendant l'installation ou la maintenance du luminaire, veuillez utiliser des gants antistatiques pour éviter les traces sur le luminaire.
- Pour éliminer la saleté et les taches, utilisez ce qui suit:
  - Poussière: utilisez uniquement des chiffons en microfibre.
  - Traces de doigts, etc.: utilisez un nettoyant aux propriétés antistatiques pour les matières synthétiques.

## (HU) Biztonsági óvintézkedések



- Az IEC 62471 szabvány szerint ennek a terméknek a besorolása: UVC 3. kockázati csoport – magas kockázat.
- Figyelmeztetés: Ez a termék UV-C sugárzást bocsát ki. Ne tegye ki a szemét és bőrét árnyékolás nélküli terméknek. Kövesse a telepítési utasításokat és a felhasználói kézikönyvet.
- Figyelmeztetés: UV -C termékeink használata kerülendő minden olyan alkalmazásban vagy tevékenységben amelyek hálált, vagy személyi sérülést okozhatnak, vagy ilyenhez vezethetnek, illetve amelyek a környezet károsodását okozhatják, vagy ehhez vezethetnek.
- Mivel az UV-C sugárzás a szem számára láthatatlan, az UV-C szabadonsugárzó lámpatestet a megfelelő biztonsági védelemmel együtt kell telepíteni annak biztosítására, hogy az UV-C szabadonsugárzó lámpatestet biztonságosan lehessen működtetni.
- Az UV-C szabadonsugárzó lámpatesteket csak olyan rendszer alkotórészeiként szabad használni, amelye többek között (de nem ki zárólagosan) olyan biztonsági védelmet tartalmaznak, amelyek a felszerelési utasításokban és/vagy a felhasználói kézikönyvekben vannak megjelölve.
- Figyelmeztetés: Ne használja anélkül, hogy elolvasta volna a Biztonsági Védelem (Felszerelési Utasítás é Felhasználói Kézikönyv) tartalmát, biztosítva azt, hogy a Hozzáférési védelem felügyeleti megoldás létezik illetve elvégezte volna a Biztonsági Oktatást.
- Figyelmeztetés: Az UV-C-nek hosszú ideig kitett anyagok sérülhetnek és/vagy elszíneződhetnek.
- A lámpák higanyt tartalmaznak. Ha egy lámpa eltörik, szellőztesse a helyiséget 30 percig és (lehetőleg kesztyűben) távolítsa el az alkatrészeket. Helyezze őket egy lezárt műanyag zsákba és újrahasznosítás céljából adja le őket helyi hulladékfeldolgozó létesítményében. Ne használjon porszívót. Kérjük, kövesse a Felhasználói Kézikönyvet.
- A lámpatestet csak szakképzett villanyszerelő szerelheti fel, a vezetékeztést pedig a legfrissebb IEE villamossági rendelkezésekkel vagy az országban érvényes előírások szerint kell elvégezni.
- Lámpaműködtető szigetelése: I. érintésvédelmi osztály, az IEC 61347-1 szabvánnyal összhangban
- A lámpatest felszerelésekor vagy karbantartása során viseljen antisztatikus kesztyűt, hogy ne kerüljenek kéznymok a lámpatestre.
- A piszok és a foltok eltávolításához kövesse az alábbi utasításokat:
  - Por: csak mikroszálas kendőt használjon.
  - Ujjlenyomatok, stb.: szintetikus anyagokhoz való és antisztatikus tulajdonságokkal rendelkező tisztítószert használjon.

## (PL) Środki ostrożności



- Ten produkt został zaklasyfikowany do Grupy Ryzyka UV-C 3 zgodnie z IEC 62471.
- Ostrzeżenie: Produkt emituje promieniowanie UV-C. Unikaj ekspozycji oczu i skóry na promieniowanie nieosłoniętego produktu. Postępować zgodnie z instrukcjami montażu i obsługi.
- Ostrzeżenie: Nasze produkty UV-C nie są przeznaczone do stosowania w aplikacjach lub działaniach, które mogą spowodować i/lub doprowadzić do śmierci, obrażeń ciała i/lub szkód w środowisku.
- Ponieważ promieniowanie UV -C jest niewidzialne dla oka, belkę oświetleniową UV -C należy montować wraz z odpowiednimi zabezpieczeniami, aby zapewnić jej bezpieczną eksploatację. listwy oświetleniowej UV-C.
- Belki oświetleniowe UV-C mogą być stosowane wyłącznie jako elementy systemu, w którym składa się z zastosowano odpowiednie zabezpieczenia, takie jak dla przykładu zabezpieczeń wskazano w instrukcji montażu i/lub instrukcji obsługi.
- Ostrzeżenie: Nie używać przed zapoznaniem się z treścią Instrukcji Bezpieczeństwa (Instrukcji Montażu i Instrukcji Obsługi), zapewniając stosowanie odpowiedniej Kontroli Bezpieczeństwa oraz wdrożenia szkole na temat bezpieczeństwa.
- Ostrzeżenie: Materiały, które są narażone na działanie promieniowania UV-C przez długi czas mogą ulec uszkodzeniu i/lub przebarwieniom.
- Lampy zawierają rtęć. Jeśli lampa rozbije się, należy przewietrzyć pomieszczenie przez 30 minut i usunąć rozbite elementy, najlepiej w rękawicach. Umieścić je w zamkniętej plastikowej torbie i zanieść do lokalne punktu utylizacji odpadów w celu recyklingu. Nie używać odkurzacza. Postępować zgodnie z instrukcją obsługi.
- Oprawa powinna być montowana przez wykwalifikowanego elektryka i podłączana zgodnie z obowiązującymi przepisami elektrycznymi IEEE lub wymaganiami krajowymi.
- Izolacja zasilacza: podstawowa zgodnie z IEC 61347-1
- Podczas montażu lub konserwacji oprawy należy używać rękawic antystatycznych, aby uniknąć powstania płam na oprawie.
- Aby usunąć brud i plamy, należy użyć:
  - Kurz: używać tylko ściereczek z mikrofibry.
  - Odciski palców itp.: używać środka czyszczącego do materiałów syntetycznych o właściwościach antystatycznych.

## (CZ) Bezpečnostní upozornění



- Tento výrobek je zařazený do rizikové skupiny 3 ultrafialového světla UV-C podle normy IEC 62471.
- Varování: Tento výrobek emituje UV-C záření. Vyvarujte se vystavení očí a pokožky nezastíněnému výrobku. Postupujte podle pokynů k instalaci a uživatelské příručky.
- Varování: Naše UV-C výrobky nejsou určeny k použití v aplikacích nebo činnostech, při kterých mohou způsobit a/nebo vést k úmrtí, zranění osob nebo poškození životního prostředí.
- Protože UV-C záření je pro oko neviditelné, musí být UV-C zářivka instalována s odpovídajícími bezpečnostními opatřeními, aby bylo zajištěno její bezpečné použití.
- UV-C zářivky se smí používat pouze jako součást systému, který obsahuje odpovídající bezpečnostní opatření, jako jsou například ta, která jsou uvedena v montážních pokynech a/nebo uživatelských příručkách.
- Varování: Nepoužívejte výrobek bez přečtení bezpečnostních pokynů (návod k montáži a uživatelská příručka) a dbejte na použití zabezpečení přístupu do místnosti a absolvování školení k zabezpečení.
- Varování: Materiály, které jsou dlouhodobě vystaveny UV-C záření, mohou být poškozeny a/nebo změnit barvu.
- Lampy obsahují rtuť. Pokud lampa praskne, větrejte místnost po dobu 30 minut a části lampy odstraňte nejlépe pomocí rukavic. Vložte je do uzavíratelného plastového sáčku a odнесите je do místního zařízení pro sběr a recyklaci odpadu. Nepoužívejte vysavač. Postupujte podle uživatelské příručky.
- Svítidlo musí být instalováno kvalifikovaným elektrikářem a zapojeno v souladu s nejnovějšími elektrotechnickými předpisy nebo národními požadavky.
- Izolace řídicího prvku: Základní izolace podle IEC 61347-1.
- Během instalace nebo při údržbě svítidla používejte rukavice bez statického náboje, abyste na svítidle nezanechali otisky.
- K odstranění nečistot a skvrn použijte následující prostředky:
  - Prach: používejte pouze utěrky z mikrovlákna.
  - Otisky prstů atd.: používejte čistič pro syntetické materiály s antistatickými vlastnostmi.

#### (SK) Bezpečnostné opatrenia



- Tento výrobek je zaradený do rizikovej skupiny 3 ultrafialového svetla UV-C podľa normy IEC 62471.
- Varovanie: Tento výrobok vyžaruje ultrafialové svetlo UV-C. Zabráňte vystaveniu očí a pokožky pôsobeniu neodtieneného výrobku. Postupujte podľa návodu na inštaláciu a používateľskej príručky.
- Varovanie: Naše výrobky vyžarujúce ultrafialové svetlo UV-C nie sú určené na používanie ani činnosti, ktoré môžu spôsobiť smrť, zranenie osôb a prípadne poškodenie prostredia.
- Keďže ultrafialové svetlo UV-C je pre oko neviditeľné, je nutné nainštalovať dosku na ochranu pred ultrafialovým svetlom UV-C spolu so zodpovedajúcimi ochrannými prvkami, aby sa zaistila možnosť bezpečnej manipulácie s doskou na ochranu pred ultrafialovým svetlom UV-C.
- Dosky na ochranu pred ultrafialovým svetlom UV-C sú určené na používanie len ako komponenty systému pozostávajúceho zo zodpovedajúcich bezpečnostných ochranných prvkov, ako sú (okrem iných) tie, ktoré sú uvedené z návodu na montáž a prípadne v používateľských príručkách.
- Varovanie: Produkt nepoužívajte, ak ste si neprečítali bezpečnostné pokyny (návod na montáž a používateľskú príručku), aby sa zaistilo aplikovanie uzavieracích ochranných prvkov ako kontrolného riešenia a splnenie bezpečnostných požiadaviek na vyškolenie.
- Varovanie: Vystavením dlhodobému pôsobeniu ultrafialového svetla UV-C sa môžu materiály poškodiť alebo sa môže zmeniť ich farba.
- Lampy obsahujú ortuť. Ak sa lampa rozbije, 30 minút miestnosť vetrajte a odstráňte časti lampy (pokiaľ možno s použitím rukavíc). Vložte ich do uzavretého plastového vrečka a odvezte ich do miestnej zberne odpadu na recykláciu. Nepoužívajte vysávač. Postupujte podľa používateľskej príručky.
- Svietidlo by mal namontovať kvalifikovaný elektrikár a malo by byť zapojené v súlade s najnovšími smernicami IEE týkajúcimi sa elektrických systémov alebo s národnými požiadavkami.
- Izolácia riadiaceho prvku: základná v súlade s normou IEC 61347-1.
- Počas inštalácie alebo údržby svietidla používajte antistatické rukavice, aby ste na svietidle nezanechali stopy.
- Pri odstraňovaní nečistôt a škvŕn postupujte takto:
  - Prach: Používajte len handričky z mikrovlákna.
  - Odtlačky prstov a pod.: Používajte čistiace prostriedky na syntetické materiály s antistatickými účinkami.

## (BG) Предпазни мерки за безопасност






- Този продукт е с рейтинг UVC Risk Group 3, според IEC 62471.
- Предупреждение: Този продукт излъчва UV-C лъчи. Избягвайте контакт с очите и кожата, ако продуктът не е обезопасен. Следвайте инструкциите за монтаж и ръководството за употреба.
- Предупреждение: Нашите UV-C продукти не са предназначени за използване в приложения или дейности, които могат да причинят и/или да доведат до смърт, телесни наранявания и/или замърсяване на околната среда.
- Тъй като UV-C лъчите са невидими за окото, UV-C подпората трябва да бъде монтирана заедно с адекватни предпазители, за да се гарантира, че UV-C подпората може да работи по безопасен начин.
- UV-C подпорите трябва да се използват само като компоненти в система, която се състои от подходящи предпазни мерки за безопасност, като, но не само, тези, посочени в инструкциите за монтаж и/или ръководствата за употреба.
- Предупреждение: Не използвайте без да прочетете съдържанието в Мерки за безопасност (Инструкция за монтаж и ръководство за употреба), като с е уверите че управляващия задържащ предпазител е на място и преминете обучение за предпазване.
- Предупреждение: Материали изложени на UV-C лъчи за дълго време, могат да се повредят и/или да се обезцветят.
- Лампите съдържат живак. При счупване на лампа, проветрете стаята за 30 минути и отстранете частите, за предпочитане с ръкавици. Поставете ги в запечатан найлонов плик и ги занесете в местните съоръжения за рециклиране на отпадъци. Не използвайте прахосмукачка. Моля, следвайте ръководството за употреба.
- Осветителното тяло трябва да бъде монтирано от квалифициран електротехник и окабелено в съответствие с най-новите електрически разпоредби IEE или националните изисквания.
- Изолация на водача: Основно според IEC 61347-1.
- По време на монтажа или при поддържане на осветителното тяло, използвайте ръкавици без статично електричество, за да избегнете оставянето на белези по осветителното тяло.
- За отстраняване на замърсявания и петна използвайте следното:
  - Прах: използвайте само микрофибърни кърпи.
  - Отпечатьци и др.: използвайте почистващ препарат за синтетични материали с антистатични свойства.

## (HR) Mjere opreza






- Ovaj proizvod svrstava se u 3. rizičnu skupinu od UVC zračenja prema normi IEC 62471.
- Upozorenje: Proizvod emitira UVC svjetlo. Izbjegavajte izlaganje očiju i kože proizvodu bez zaštitnog štita. Slijedite upute za ugradnju i korisnički priručnik.
- Upozorenje: Naši proizvodi s UVC svjetlom nisu namijenjeni za uporabu u primjenama i aktivnostima koje mogu uzrokovati i/ili dovesti do smrti, tjelesnih ozljeda i/ili štete za okoliš.
- Budući da je UVC svjetlo oku nevidljivo, UVC svjetiljka mora biti ugrađena zajedno s odgovarajućom zaštitom kako bi se osigurao siguran rad takve svjetiljke.
- UVC svjetiljke smiju se upotrebljavati samo kao dijelovi sustava koji sadržava sigurnosne zaštitne mjere kao što su, ali ne isključivo, mjere navedene u uputama za postavljanje i/ili korisničkim priručnicima.
- Upozorenje: Ne upotrebljavajte prije nego što pročitate sadržaj Uputa o zaštitnim mjerama a (Upute za postavljanje i Korisnički priručnik), osigurajte uspostavljanje sigurnosnih ograničavajućih mjera i dovršite zaštitnu obuku.
- Upozorenje: Materijali koji su dugo vremena izloženi UVC svjetlu mogu se oštetiti i/ili izbljediti.
- Žarulje sadrže živu. Ako se žarulja razbije, prozračite prostoriju 30 minuta i uklonite sve dijelove, po mogućnosti noseći rukavice. Stavite dijelove u plastičnu vrećicu, zatvorite ju i odnesite na lokalno mjesto za gospodarenje otpadom radi recikliranja. Ne upotrebljavajte usisavač za prašinu. Pridržavajte se korisničkog priručnika.
- Rasvjetno tijelo mora ugraditi kvalificirani električar i mora biti spojeno u skladu s najnovijim uredbama o električnoj energiji u okviru programa IEE ili nacionalnim zahtjevima.
- Izolacija pogonskog sklopa: osnovna u skladu s normom IEC 61347-1.
- Tijekom ugradnje i održavanja rasvjetnog tijela upotrebljavajte antistatičke rukavice da ne biste ostavljali mrlje.
- Za uklanjanje prljavštine i mrlja upotrebljavajte sljedeće:
  - prašina: upotrebljavajte samo tkaninu od mikrovlakana.
  - otisci prstiju itd.: upotrebljavajte sredstvo za čišćenje za sintetičke materijale s antistatičkim svojstvima.

## (EE) Ohutusabinõud

- See toode kuulub UVC-kiirguse ohugruppi 3, vastavalt standardile IEC 62471.
- Hoiatus: see toode kiirgab UV-C kiirgust. Vältige varjestamata toote kokkupuutumist silmade või nahaga. Järgige paigaldusjuhiseid ja kasutusjuhendit.
- Hoiatus: Meie UV-C tooted pole mõeldud kasutamiseks rakendustes või tegevustes, mis võivad põhjustada surma, vigastusi ja/või keskkonnakahjustusi.
- Kuna UV-C kiirgus on silmale nähtamatu, tuleb UV-C valgusti paigaldada koos piisavate kaitseesadistega, tagamaks UV-C valgusti kasutamist ohutul moel.
- UV-C valgustid on mõeldud kasutamiseks ainult süsteemi komponentidena, mis koosneb olulistest kaitseesadistest, muuhulgas (kuid mitte ainult) nendest, mis on ära toodud paigaldusjuhendis ja/või kasutusjuhendis.
- Hoiatus: Ärge kasutage, lugemata eelnevalt juhendis olevaid kaitseabinõusid (paigaldusjuhend ja kasutusjuhend), veendudes et valgusti juhtimise lahendus kiirguse eest kaitsmiseks onpaigaldatud ja ohutu kasutamise koolitus on läbi viidud.
- Hoiatus: Materjalid, mis puutuvad pikemat aega kokku UV-C kiirgusega, võivad kahjustuda ja/või värvi muuta.
- Lambid sisaldavad elavhõbedat. Kui lamp puruneb, õhutage ruumi vähemalt 30 minutit ja eemaldage katkised osad, soovitatavalt kinnas tega. Pange need suletud kilekotti ja viige kohalikku jäätmete kogumispunkti. Ärge kasutage tolmuimejat. Järgige kasutusjuhendit.
- Valgusti peab paigaldama kvalifitseeritud elektrik ning juhtmed tuleb ühendada vastavalt uusimatele elektrimäärustele või riiklikele nõuetele.
- Draiveri isolatsioon: põhiline, vastavalt standardile IEC 61347-1.
- Valgusti paigaldamise või hooldamise ajal kasutage antistaatilisi kindaid, vältimaks plekkide tekkimist valgustil.
- Mustuse ja plekkide eemaldamiseks kasutage järgmiseid vahendeid:
  - Tolm: ainult mikrokiudlapid.
  - Näpujäljed jne; kasutage sünteetiliste materjalide puhastusvahendeid, millel on antistaatilised omadused.

#### (LV) Drošības pasākumi

- Šis izstrādājums ir klasificēts UVC starojuma 3. riska grupā saskaņā ar IEC 62471.
- Brīdinājums: Šis izstrādājums izdala UVC starojumu. Izvairieties no neaizsegta izstrādājuma iedarbības uz acīm un ādu. Ievērojiet uzstādīšanas instrukcijas un lietotāja rokasgrāmatu.
- Brīdinājums: Mūsu UVC izstrādājumi nav paredzēti tādai lietošanai vai darbībām, kas var izraisīt un/vai novest pie nāves, ievainojumiem un/vai kaitējuma videi.
- Tā kā UVC ir ar acīm neredzams, UVC spuldzes karkass ir jāuzstāda kopā ar atbilstošu aizsargu, lai nodrošinātu, ka UVC spuldzes karkasu var droši darbināt.
- UVC spuldzes karkasus drīkst izmantot tikai kā komponentus tādā sistēmā, kas ietver pienācīgus aizsarglīdzekļus, piemēram, bet ne tikai, tos, kas norādīti montāžas instrukcijās un/vai lietotāja rokasgrāmatās.
- Brīdinājums: Nelietojiet, ja nav izlasītas aizsarglīdzekļu instrukcijas (montāžas instrukcijas un lietotāja rokasgrāmata), ja nav īstenots kontroles risinājums - ierobežošanas pasākumi, kā arī ja nav veiktas apmācības aizsarglīdzekļu izmantošanā.
- Brīdinājums: Materiāli, kas ilgstoši ir pakļauti UVC iedarbībai, var sabojāties un/vai mainīt krāsu.
- Lampas satur dzīvsudrabu. Ja spuldze saplīst, 30 minūtes vēdiniet telpu un savāciet spuldzes daļas, vēlams ar cimdiem. Ielieciet tās aizspiežamā plastmasas maisiņā un nogādājiet vietējā atkritumu apsaimniekošanas objektā pārstrādei. Neizmantojiet putekļsūcēju. Lūdzu, ievērojiet norādījumus lietotāja rokasgrāmatā.
- Gaismekli ir jāuzstāda kvalificētam elektriķim, un to elektriskajam slēgumam ir jāatbilst jaunākajiem SEE noteikumiem par elektrību vai valsts prasībām.
- Draivera izolācija: Pamatizolācija saskaņā ar IEC 61347-1.
- Uzstādot gaismekli vai veicot tā apkopi, lūdzu, izmantojiet antistatiskus cimdus, lai neatstātu pēdas uz gaismekļa.
- Lai notīrītu netīrumus un plankumus, izmantojiet tālākos līdzekļus:
  - Putekļi: izmantojiet tikai mikrošķiedru lupatiņas.
  - Pirkstu nospiedumi utt.: izmantojiet sintētisko materiālu tīrīšanas līdzekli ar antistatiskām īpašībām.



## (LT) Atsargumo priemonės






- Šis produktas priskiriamas UVC rizikos grupei 3 pagal IEC 62471.
- Įspėjimas: Šis produktas išskiria ultravioletinius spindulius. Venkite bet kokio poveikio akims ir odai dėl neapsaugoto produkto. Vadovaukitės montavimo instrukcijomis ir vartotojo vadovu.
- Įspėjimas: Mūsų UV-C produktai neturi būti naudojami įrangoje, prietaisuose ar veikloje, kuri gali sukelti ir (arba) prisidėti prie mirties, asmeninėms traumoms ir (arba) žalos aplinkai.
- Kadangi ultravioletiniai spinduliai akimams nematomi, UV-C (u ltravioletiniai spinduliai) šviestuvai privalo būti sumontuoti kartu su atitinkamomis saugos priemonėmis siekiant užtikrinti, kad UV-C šviestuvai būtų naudojami saugiai.
- UV-C šviestuvai turi būti naudojami tik kaip sistemos komponentai, kurią sudaro tinkamos saugos priemonės ir komponentai, tačiau neapsiribojant vien jomis, kaip nurodyta montavimo instrukcijose ir (arba) vartotojo vadove.
- Įspėjimas: Nenaudokite neperskaitytų saugos priemonių instrukcijų (Montavimo instrukcijos ir Vartotojo vadovo) turinio bei įdiekite valdiklius, kurie užtikrins aplinkinių saugą toje patalpoje, kur yra UV -C, ir privalomai turite pabaigti Saugos priemonių mokymus.
- Įspėjimas: Medžiagos, kurias ilgą laiką veikia ultravioletiniai spinduliai, gali būti pažeistos ir (arba) jos gali pakeisti spalvą bei savybes.
- Lempų sudėtyje yra gyvsidabrio. Sudužus lempai, vėdinkite patalpą ne trumpiau nei 30 min. ir apsauginėmis pirštinėmis pašalinkite lempos dalis. Įdėkite jas į sandarų plastikinį maišelį ir nugabenkite į vietinę atliekų perdėrimo įmonę. Nenaudokite dulkių siurblio. Prašome laikytis Vartotojo vadovo reikalavimų.
- Šviestuvą turi sumontuoti ir prijungti prie elektros kvalifikuotas elektrikas pagal naujausius IEE elektros įrangos bei nacionalinius reikalavimus.
- Maitinimo šaltinio izoliavimas: minimum turi atitikti IEC 61347-1.
- Montuodami ar atlikdami šviestuvo techninį aptarnavimą, turite naudoti antistatinės pirštines, kad ant šviestuvo neliktų pirštų anspaudų žymių.
- Norėdami nuvalyti purvą ir dėmes, atlikite šiuos veiksmus:
  - Dulkės: naudokite tik mikropluošto audinius.
  - Norėdami nuvalyti pirštų atspaudus ir t. t.: naudokite sintetinių medžiagų valiklių su antistatinėmis savybėmis.

## (RO) Măsuri de precauție






- Acest produs este clasificat în Grupul de risc 3 UVC (radiații ultraviolete), în conformitate cu IEC 62471.
- Avertisment: Acest produs emite radiații ultraviolete UV-C. Evitați expunerea ochilor și pielii la produsul neprotejat. Respectați instrucțiunile de instalare și manualul de utilizare.
- Avertisment: Produsele noastre cu UV-C nu sunt destinate utilizării în aplicații sau activități care pot cauza și/sau conduce la decese, răni și/sau daune pentru mediul înconjurător.
- Întrucât lumina ultravioletă UV-C nu este vizibilă cu ochiul liber, lampa UV-C trebuie instalată împreună cu protecții adecvate pentru a asigura funcționarea în condiții de siguranță a acesteia.
- Lămpile UV-C trebuie utilizate numai ca și componente ale unui sistem care cosntă din protecții de siguranță adecvate precum, dar fără a se limita la, cele indicate în instrucțiunile de montare și/sau manualele de utilizare.
- Avertisment: Nu utilizați fără a citi conținutul instrucțiunilor privind protecțiile (Instrucțiuni de montare și Manual de utilizare), asigurându-vă că soluția de control protecție de izolare este montată și după o instrui privind protecțiile.
- Avertisment: Materialele care sunt expuse la UV-C pe perioade lungi de timp se pot deteriora și/sau decolora.
- Lămpile conțin mercur. Dacă lampa se sparge, ventilați încăperea timp de 30 de minute și înlăturați bucăți preferabil cu mănuși. Puneți -le într -o pungă de plastic sigilată și duceți -o la facilitatea de reciclare a deșeurilor locale. Nu utilizați aspiratorul. Vă rugăm să respectați instrucțiunile din Manualul de utilizare.
- Corpul de iluminat va fi instalat de un electrician calificat și cablat în conformitate cu cele mai recente reglementări electrice EE sau cu cerințele naționale.
- Izolare conductor: Izolare de bază, conform IEC 61347-1.
- În timpul instalării sau întreținerii corpului de iluminat, vă rugăm să utilizați mănuși antistatice pentru a evita lăsarea urmelor pe corpul de iluminat.
- Pentru a îndepărta murdăria și petele utilizați următoarele echipamente:
  - Praf: utilizați numai cârpe din microfibră.
  - Amprente etc.: utilizați un agent de curățare pentru materiale sintetice cu proprietăți antistatice.

## (FI) Turvatoimet




- Tämä tuote kuuluu IEC 62471 -standardin UVC-riskiryhmä 3:een.
- Varoitus: Tästä tuotteesta lähtee UV -C-säteilyä. Vältä silmien ja ihon altistumista suojaamattom tuotteelle. Seuraa asennus- ja käyttöohjeita.
- Varoitus: UV-C-tuotteitamme ei ole tarkoitettu käytettäväksi tavoilla, jotka voivat aiheuttaa ja/tai johtaa kuolemaan, henkilövahinkoihin ja/tai vahingoittaa ympäristöä.
- Koska UV-C-säteily on paljaalle silmälle näkymätöntä, UV-C-lista on asennettava yhdessä asianmukaisten suojalaitteiden kanssa, jotta voidaan varmistaa, UV-C-laitteen turvallinen käyttö.
- UV-C-listoja tulee käyttää vain komponentteina järjestelmässä, jossa on asianmukaiset turvavarusteet, kuten, mutta ei rajoittuen, asennusohjeissa ja/tai käyttöohjeissa ilmoitetut.
- Varoitus: Älä käytä tuotetta lukematta suojalaitteiden ohjeistuksien (asennusohjeet ja käyttöohjeet) sisältöä. Näin varmistat, että hallintalaitteiden suojaus asennetaan varmasti paikoilleen ja että suojalaitteet tulevat testatuksi.
- Varoitus: UV-C-säteilylle pitkään altistuneet materiaalit voivat vaurioitua ja/tai haalistua.
- Lamput sisältävät elohopeaa. Jos lamppu rikkoutuu, tuuleta huonetta 30 minuutin ajan ja poista rikkoutune osat, mieluiten käsineillä. Laita ne suljettavaan muovipussiin ja vie se paikalliseen jätehuoltoon kierrätettäväksi. Älä käytä pölynimuria. Seuraa käyttöohjeita.
- Valaisimen tulee asentaa pätevä sähköasentaja ja johdotus tulee suorittaa viimeisimpien IEE sähkömääräysten tai kansallisten vaatimusten mukaisesti.
- Ohjaimen eristys: Yksinkertainen, standardin IEC 61347-1 mukaisesti.
- Valaisimen asennuksen tai huoltamisen aikana, käytä antistaattisia käsineitä, jotta välttäisit valaisimen tahrimisen.
- Lian ja tahrojen poistamiseen menettele seuraavasti:
  - Pöly: käytä vain mikrokuitukankaita.
  - Sormenjäljet jne.: Käytä synteettisille materiaaleille tarkoitettua puhdistusainetta, jolla on antistaattisia ominaisuuksia.

#### (SI) Varnostni ukrepi








- Ta izdelek je uvrščen v UVC rizično skupino skupino 3, v skladu z IEC 62471
- Opozorilo: Ta izdelek oddaja UVC svetlobo. Ne izpostavljajte kože in ne glejte v nezaščiten izdelek. Sledite navodilom za montažo in uporabniškim navodilom.
- Opozorilo: Naši UV-C izdelki niso namenjeni uporabi v aplikacijah ali dejavnostih, kjer lahko povzročijo in/al privedejo do smrti, telesnih poškodb in/ali škodo okolju.
- Ker je UV-C očesu neviden, ga je treba namestiti skupaj z ustreznimi arovali, da se zagotovi varna uporaba UV-C svetilke.
- Svetilke z UV-C se smejo uporabljati le kot sestavni deli v sistemu, ki je sestavljen iz ustreznih varnostnih zaščitnih ukrepov, kot so, vendar niso omejeni na, navedene v navodilih za montažo in/ali v priročnikih za uporabo.
- Opozorilo: Ne uporabljajte, ne da bi prebrali vsebine v navodilih za montažo in uporabo, ki zagotavlja jo varno rešitev.
- Opozorilo: Materiali, ki so dalj časa izpostavljeni UV-C in/ali ozonu, se lahko poškodujejo in/ali obarvajo.
- Sijalke vsebujejo živo srebro. Če se razbije sijalka, prezračite za vsaj 30 minut in dele odstranite z rokavicami. Položite jih v plastično vrečko jih neprodušno zaprite in jih odnesite v lokalne odpadne prostore na recikliranje. Ne uporabljajte sesalnika. Upoštevajte navodila za uporabo.
- Svetilko mora vgraditi usposobljen električar in jo ožičiti v skladu z najnovejšimi električnimi predpisi EEE ali nacionalnimi zahtevami.
- Izolacija napajalnika: Osnovna po IEC 61347-1
- Med namestitvijo ali pri vzdrževanju svetilke uporabite antistatične rokavice, da se izognete madežem na svetilki.
- Za odstranjevanje umazanije in madežev uporabite naslednje:
  - Prah: uporabljajte samo krpe iz mikro vlaknen
  - Prstni odtisi itd.: uporabljajte čistilo za sintetične materiale z antistatičnimi lastnostmi.




## (RS) Mere opreza

	<ul style="list-style-type: none"><li>• Ovaj proizvod spada u 3. grupu rizika od UV-C zračenja, prema IEC 62471 IEC 62471 standardu.</li><li>• Upozorenje: Proizvod emituje UV-C svetlo. Izbegavati izlaganje očiju i kože proizvodu koji nema zaštitni štiti. Slediti uputstvo za ugradnju i korisnički priručnik.</li><li>• Upozorenje: Naši UV-C proizvodi nisu namenjeni za upotrebu u primenama i aktivnostima koje mogu uzrokovati i/ili dovesti do smrti, telesnih povreda i/ili štete za okolinu.</li><li>• S obzirom da UV-C svetlo nije vidljivo oku, UV-C svetiljka mora biti ugrađena zajedno s odgovarajućom zaštitom kako bi se omogućio siguran rad takve svetiljke.</li><li>• UV-C svetiljke se mogu upotrebljavati samo kao delovi sistema koji sadrži zaštitne mere kao što su, ali ne isključivo, mere navedene u uputstvu za ugradnju i/ili korisničkim priručnicima.</li></ul>
	<ul style="list-style-type: none"><li>• Upozorenje: Ne upotrebljavati pre nego što pročitate sadržaj Uputstva o merama zaštite (Uputstvo za ugradnju i Korisnički priručnik), osigurajte uspostavljanje zaštitnih mera ograničenja za rešenja kontrole i dovršite zaštitnu obuku.</li><li>• Upozorenje: Materijali koji su dugo vremena izloženi UV-C svetlu mogu se oštetiti i/ili izbledeti.</li></ul>
	<ul style="list-style-type: none"><li>• Sijalice sadrže živu. Ako se sijalica razbije, izvetrite prostoriju 30 minuta i uklonite sve delove, po mogućnosti noseći rukavice. Stavite delove u plastičnu vrećicu, zatvorite je i odnesite na lokalno mesto za upravljanje otpadom radi recikliranja. Ne upotrebljavajte usisivač. Pridržavajte se korisničkog priručnika.</li><li>• Svetiljku mora da ugradi kvalifikovani električar i mora biti povezana u skladu s najnovijim odredbama o električnoj energiji u okviru programa IEE ili prema nacionalnim propisima.</li><li>• Izolacija drajvera: osnovna prema IEC 61847-1 standardu.</li><li>• Tokom ugradnje i održavanja svetiljke koristiti antistatičke rukavice kako ne bi ostajale fleke.</li><li>• Za uklanjanje prljavštine i fleka koristiti sledeće:<ul style="list-style-type: none"><li>- Za prašinu: koristiti samo mikro-fiber krpu.</li><li>- Za otiske prstiju, itd.: koristiti sredstvo za čišćenje za sintetičke materijale sa antistatičkim karakteristikama.</li></ul></li></ul>




## (RU) Меры безопасности

	<ul style="list-style-type: none"><li>• Светильник имеет класс Группа 3 для опасности УФ-С в соответствии с IEC 62471.</li><li>• Предупреждение: Светильник производит УФ-С излучение. Избегайте воздействия неэкранированного светильника на глаза и кожу. Следуйте инструкциям по установке и указаниям в руководстве пользователя.</li><li>• Предупреждение: Наши бактерицидные УФ-светильники не предназначены для использования в приложениях или видах деятельности, которые могут привести к смерти, травмам и/или повреждению окружающей обстановки.</li><li>• Поскольку УФ-С излучение невидимо для глаза, бактерицидные УФ-светильники должны устанавливаться вместе с соответствующими средствами защиты, чтобы обеспечить безопасную эксплуатацию бактерицидного УФ-светильника.</li></ul>
	<ul style="list-style-type: none"><li>• Бактерицидные УФ-светильники должны использоваться только в качестве компонентов системы, которая состоит из надлежащих защитных элементов, таких как те, которые указаны в инструкции по монтажу и/или руководствах пользователя.</li><li>• Предупреждение: Запрещается эксплуатация без изучения информации по защитным элементам (инструкция по монтажу и руководство пользователя), установки средств защиты от доступа и прохождения обучения.</li><li>• Предупреждение: Материалы, которые подвергаются воздействию УФ-С излучения в течение длительного времени, могут быть повреждены и/или обесцвечены.</li></ul>
	<ul style="list-style-type: none"><li>• В лампах содержится ртуть. В случае механического повреждения лампы проветрите помещение в течение 30 минут и снимите детали; при этом рекомендуется использовать перчатки. Поместите детали в запечатанный полиэтиленовый пакет и отнесите его в местное предприятие по переработке отходов. Не используйте пылесос. Следуйте указаниям в руководстве пользователя.</li><li>• Светильник должен устанавливаться квалифицированным электриком и подключаться в соответствии с последними электрическими правилами или национальными требованиями.</li><li>• Изоляция драйвера: Стандартная в соответствии с IEC 61347-1</li><li>• Во время установки или при обслуживании светильника используйте антистатические перчатки, чтобы не оставлять на нем следов.</li><li>• Для удаления грязи и пятен используйте следующие средства:<ul style="list-style-type: none"><li>- Пыль: используйте только ткани из микроволокна</li><li>- Отпечатки пальцев и т. д.: используйте очиститель для синтетических материалов с антистатическими свойствами</li></ul></li></ul>

## (DE) Sicherheitshinweise

	<ul style="list-style-type: none"><li>• Bei diesem Produkt handelt sich um ein Produkt der UV-C-Risikogruppe 3 nach IEC 62471.</li><li>• Achtung: dieses Produkt emittiert UV-C-Strahlung! Setzen Sie Ihre Augen und Haut nicht dem ungesicherten Produkt aus! Befolgen Sie die Installationsanleitung und das Benutzerhandbuch.</li><li>• Achtung: Unsere UV -C-Produkte sind nicht für Anwendungen und Tätigkeiten bestimmt, die den Tod, körperliche Verletzungen und/oder Umweltschäden verursachen bzw. dazu führen können.</li><li>• Da die UV-C-Strahlung für die Augen unsichtbar ist, sind die UV-C-Leuchten zusammen mit angemessenen Schutzvorrichtungen zu installieren, um sicherzustellen, dass sie auf sichere Weise betrieben werden.</li><li>• Die UV-C-Leuchten sind nur als Komponenten in einem System zu verwenden, das aus angemessenen Schutzvorrichtungen einschließlich (aber nicht ausschließlich) derer besteht, die in den Montageanleitung und/oder Benutzerhandbüchern angegeben sind.</li></ul>
	<ul style="list-style-type: none"><li>• Achtung: benutzen Sie das Produkt nicht, ohne die Unterweisung (die Montageanleitung und das Benutzerhandbuch) gelesen, die Sicherungssteuerung eingerichtet und eine entsprechende Schulung abgeschlossen zu haben.</li><li>• Achtung: Stoffe, die für eine längere Zeit der UV-C-Strahlung ausgesetzt sind, können beschädigt werden und/oder verfärben.</li></ul>
	<ul style="list-style-type: none"><li>• Die Lampen enthalten Quecksilber. Wird eine Lampe beschädigt, lüften Sie den Raum für 30 Minuten und beseitigen die Teile, vorzugsweise mit Handschuhen. Geben Sie die Teile in eine verschließbare Plastiktüte und entsorgen diese bei Ihrer örtlichen Recyclingstelle. Benutzen Sie keinen Staubsauger! Befolgen Sie das Benutzerhandbuch.</li><li>• Die Leuchte muss von einer qualifizierten elektrischen Fachkraft installiert und gemäß den neuesten IEE - Vorschriften bzw. nationalen Vorschriften angeschlossen werden.</li><li>• Schraubenzieherisolierung: Basisisolierung nach IEC 61347-1</li><li>• Beim Einbau und bei der Wartung der Leuchte benutzen Sie statikfreie Handschuhe, um Flecken auf der Leuchte zu vermeiden.</li><li>• Um Schutz und Flecken zu beseitigen, benutzen Sie folgende Mittel:<ul style="list-style-type: none"><li>- Staub: ausschließlich Mikrofasertücher,</li><li>- Fingerabdrücke usw.: Reinigungsmittel für synthetische Stoffe mit antistatischen Eigenschaften.</li></ul></li></ul>

## (TR) Güvenlik önlemleri

	<ul style="list-style-type: none"><li>• Bu ürün IEC 62471 uyarınca UVC Risk Grubu 3 olarak sınıflandırılmıştır.</li><li>• Uyarı: Bu üründen yayılan UV-C. Gözün ve cildin muhafazasız ürüne maruz kalmasından kaçınınız. Kurulum talimatına ve kullanım kılavuzuna riayet edin.</li><li>• Uyarı: UV-C ürünlerimizin ölüme, insan yaralanmasına ve/veya çevre zararına neden olabilecek ve/veya yol açabilecek uygulamalarda veya faaliyetlerde kullanılması planlanmamıştır.</li><li>• UV-C gözle görülemediği için UV-C çubuklar, güvenli bir biçimde kullanılabilmesini sağlayacak uygun koruyucular ile birlikte monte edilmelidir.</li><li>• UV-C çubuklar sadece montaj talimatında ve/veya kullanıcı kılavuzlarında belirtilenler gibi, ancak bunlarla sınırlı olmayan, uygun güvenlik koruyucularından oluşan bir sistemdeki bileşenler olarak kullanılmalıdır.</li></ul>
	<ul style="list-style-type: none"><li>• Uyarı: Öğretici koruyucuların (montaj talimatı ve kullanıcı kılavuzu) içeriğini okumadan, yürürlükteki sınırlama koruyucusu kontrol çözümünü temin etmeden ve eğitim koruyucusunu tamamlamadan kullanmayınız.</li><li>• Uyarı: Uzun süre UV-C maruz kalan malzemeler hasar görebilir ve/veya rengi bozulabilir.</li><li>• Lambalar cıva içerir. Bir lamba kırılırsa odayı 30 dakika havalandırınız ve parçaları, tercihen eldivenle uzaklaştırınız. Parçaları kapalı bir plastik torbaya koyunuz ve geri dönüşüm için yerel atık tesislerinize götürünüz. Elektrik süpürgesi kullanmayınız. Lütfen kullanıcı kılavuzuna riayet edin.</li></ul>
	<ul style="list-style-type: none"><li>• Aydınlatma, nitelikli bir elektrikçi tarafından takılmalı ve kabloları, son IEE elektrik yönetmeliği veya ulusal gerekliliklere uygun olarak döşenmelidir.</li><li>• Sürücü yalıtımı: IEC 61347-1'e göre temel.</li><li>• Aydınlatmayı takarken veya bakımını yaparken aydınlatmada iz kalmasını önlemek için lütfen statığe yol açmayan eldivenler kullanınız.</li><li>• Kir ve lekeleri çıkarmak için aşağıdakileri kullanınız:<ul style="list-style-type: none"><li>- Toz: Sadece mikro elyaflı bezler kullanınız.</li><li>- Parmak izleri vs.: Sentetik malzemeler için anti statik özelliklere sahip bir temizleyici kullanınız.</li></ul></li></ul>



© 2020 Signify Holding

All rights reserved. This document contains information relating to the product portfolio of Signify which information may be subject to change.

No representation or warranty as to the accuracy or completeness of the information included herein is given and any liability for any action in reliance thereon is disclaimed. The information presented in this document is not intended as any commercial offer and does not form part of any quotation or contract.

Philips and the Philips Shield Emblem are registered trademarks of Koninklijke Philips N.V. All other trademarks are owned by Signify Holding or their respective owners.

Signify Holding  
The Netherlands